

Kanlux



Kanlux BENO CCT

Kanlux BENO CCT LED luminaires are a unique design with an exceptional light effect. They are characterized by high resistance to weather conditions thanks to the IP65 protection level (with the use of a cable gland), which allows them to be installed both inside and outside buildings. Their durability is 50,000 hours, and high energy efficiency of class C ensures energy saving. Kanlux BENO CCT LED is available in two sizes and four power ranges and three color temperatures (4000K, 3000K and 3500K), thanks to which it can be adapted to various needs. The luminaire made of polycarbonate (PC) is distinguished by simple, quick installation on the ceiling or wall, and the version with a motion sensor (BENO CCT LED -SE) allows you to adjust the range of operation. Thanks to its unique design and multifunctionality, Kanlux BENO CCT LED will be perfect as a decoration for any interior. The product is covered by a 5-year warranty.

- 5 years Warranty under the terms of the warranty statement, available on our website



 220-240 AC	 50	 110	 ≥30000	 50000	 elliptic ≤ 6x MacAdam	 Ra 80
 Hg	 SMD			 IP 65		 -15÷35
		 0.75÷1.5	 0,5m			





BENO 12-18W CCT-L G



BENO 12-18W CCT-L G	38787	12 / 18	max 1630 / 1770 / 1750	3000/3500/4000	graphite	
BENO 12-18W CCT-L W	38776	12 / 18	max 1840 / 2000 / 1980	3000/3500/4000	white	
BENO 12-18W CCT-L-SEG	38788	12 / 18	max 1630 / 1770 / 1750	3000/3500/4000	graphite	microwave
BENO 12-18W CCT-L-SEW	38775	12 / 18	max 1840 / 2000 / 1980	3000/3500/4000	white	microwave
BENO 12-18W CCT-O G	38789	12 / 18	max 1610 / 1740 / 1740	3000/3500/4000	graphite	
BENO 12-18W CCT-O W	38778	12 / 18	max 1920 / 2080 / 2060	3000/3500/4000	white	
BENO 12-18W CCT-O-SEG	38790	12 / 18	max 1610 / 1740 / 1740	3000/3500/4000	graphite	microwave
BENO 12-18W CCT-O-SEW	38777	12 / 18	max 1920 / 2080 / 2060	3000/3500/4000	white	microwave
BENO 24-30W CCT-L G	38779	24 / 30	max 2690 / 2940 / 2880	3000/3500/4000	graphite	
BENO 24-30W CCT-L W	38782	24 / 30	max 3180 / 3490 / 3410	3000/3500/4000	white	
BENO 24-30W CCT-L-SEG	38780	24 / 30	max 2690 / 2940 / 2880	3000/3500/4000	graphite	microwave
BENO 24-30W CCT-L-SEW	38781	24 / 30	max 3180 / 3490 / 3410	3000/3500/4000	white	microwave
BENO 24-30W CCT-O G	38783	24 / 30	max 2850 / 3120 / 3050	3000/3500/4000	graphite	
BENO 24-30W CCT-O W	38786	24 / 30	max 3230 / 3530 / 3460	3000/3500/4000	white	
BENO 24-30W CCT-O-SEG	38784	24 / 30	max 2850 / 3120 / 3050	3000/3500/4000	graphite	microwave
BENO 24-30W CCT-O-SEW	38785	24 / 30	max 3230 / 3530 / 3460	3000/3500/4000	white	microwave



BENO 12-18W CCT-L G



BENO 12-18W CCT-L W



BENO 12-18W CCT-L-SEG



BENO 12-18W CCT-L-SEW



BENO 12-18W CCT-O G



BENO 12-18W CCT-O W



BENO 12-18W CCT-O-SEG



BENO 12-18W CCT-O-SEW



BENO 24-30W CCT-L G



BENO 24-30W CCT-L W



BENO 24-30W CCT-L-SEG



BENO 24-30W CCT-L-SEW



BENO 24-30W CCT-O G



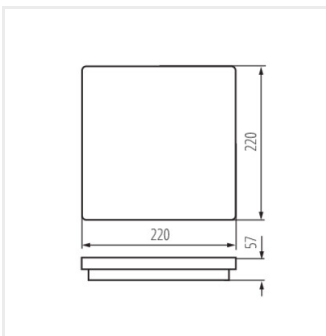
BENO 24-30W CCT-O W



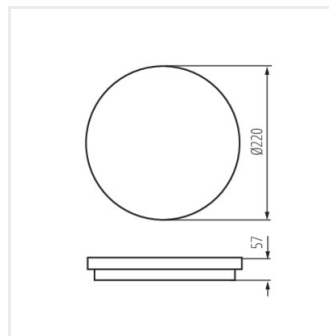
BENO 24-30W CCT-O-SEG



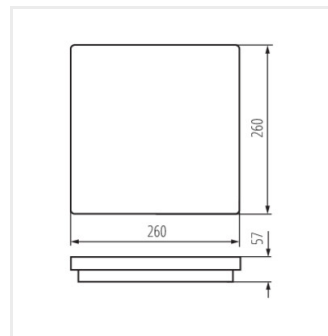
BENO 24-30W CCT-O-SEW



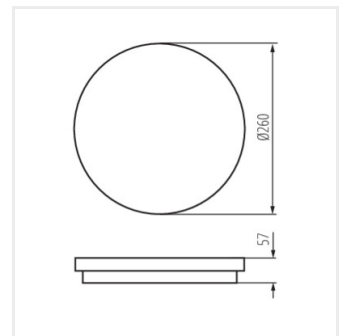
BENO 12-18W CCT-L



BENO 12-18W CCT-O



BENO 24-30W CCT-L



BENO 24-30W CCT-O

BENO 12-18W CCT-L G

12W	18W		
3000K 1100lm	3000K 1630lm		
3500K 1180lm	3500K 1770lm		
4000K 1190lm	4000K 1750lm		

BENO 12-18W CCT-O G

12W	18W		
3000K 1070lm	3000K 1610lm		
3500K 1150lm	3500K 1740lm		
4000K 1170lm	4000K 1740lm		

BENO 24-30W CCT-L G

24W	30W		
3000K 2190lm	3000K 2690lm		
3500K 2380lm	3500K 2940lm		
4000K 2350lm	4000K 2880lm		

BENO 24-30W CCT-O G

24W	30W		
3000K 2330lm	3000K 2850lm		
3500K 2530lm	3500K 3120lm		
4000K 2500lm	4000K 3050lm		

BENO 12-18W CCT-L W

12W	18W		
3000K 1230lm	3000K 1840lm		
3500K 1310lm	3500K 2000lm		
4000K 1320lm	4000K 1980lm		

BENO 12-18W CCT-O W

12W	18W		
3000K 1300lm	3000K 1920lm		
3500K 1400lm	3500K 2080lm		
4000K 1400lm	4000K 2060lm		

BENO 24-30W CCT-L W

24W	30W		
3000K 2610lm	3000K 3180lm		
3500K 2820lm	3500K 3490lm		
4000K 2790lm	4000K 3410lm		

BENO 24-30W CCT-O W

24W	30W		
3000K 2650lm	3000K 3230lm		
3500K 2860lm	3500K 3530lm		
4000K 2820lm	4000K 3460lm		

BENO 12-18W CCT-L-SEG

12W	18W		
3000K 1100lm	3000K 1630lm		
3500K 1180lm	3500K 1770lm		
4000K 1190lm	4000K 1750lm		

BENO 12-18W CCT-O-SEG

12W	18W		
3000K 1070lm	3000K 1610lm		
3500K 1150lm	3500K 1740lm		
4000K 1170lm	4000K 1740lm		

BENO 24-30W CCT-L-SEG

24W	30W		
3000K 2190lm	3000K 2690lm		
3500K 2380lm	3500K 2940lm		
4000K 2350lm	4000K 2880lm		

BENO 24-30W CCT-O-SEG

24W	30W		
3000K 2330lm	3000K 2850lm		
3500K 2530lm	3500K 3120lm		
4000K 2500lm	4000K 3050lm		

BENO 12-18W CCT-L-SEW

12W	18W		
3000K 1230lm	3000K 1840lm		
3500K 1310lm	3500K 2000lm		
4000K 1320lm	4000K 1980lm		

BENO 12-18W CCT-O-SEW

12W	18W		
3000K 1300lm	3000K 1920lm		
3500K 1400lm	3500K 2080lm		
4000K 1400lm	4000K 2060lm		

BENO 24-30W CCT-L-SEW

24W	30W		
3000K 2610lm	3000K 3180lm		
3500K 2820lm	3500K 3490lm		
4000K 2790lm	4000K 3410lm		

BENO 24-30W CCT-O-SEW

24W	30W		
3000K 2650lm	3000K 3230lm		
3500K 2860lm	3500K 3530lm		
4000K 2820lm	4000K 3460lm		

Date of issue: 03.02.2025, 09:11

We reserve the right to make technical changes. The data contained in this material are not legally binding.

Photometry: the results obtained from testing were from a specific sample.

Kanlux S.A. ul. Objazdowa 1-3, 41-922 Radzionków, Poland kanlux@kanlux.com

