

# Kanlux

## Kanlux LED STRIP LCOB 24V

The Kanlux LCOB 24V LED strip is a unique lighting solution. It has a very high luminous efficacy and a 3-year warranty, its unique feature is that it shines all the way through - there are no brighter or darker areas on it, no visible points of light. The Kanlux LCOB strip emits uniform light regardless of the depth of the profile and the transparency of the diffuser. The 24V version of the strip allows longer pieces to be used with the connection of a single power supply without any loss of luminescence. Two versions of the strip are available: with IP65 or IP00 protection rating.

- 3 years Warranty under the terms of the warranty statement, available on our website



24V





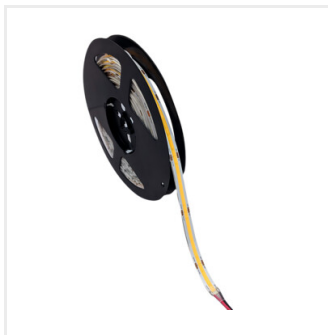

LCOB 10W/M 24 IP00-WW



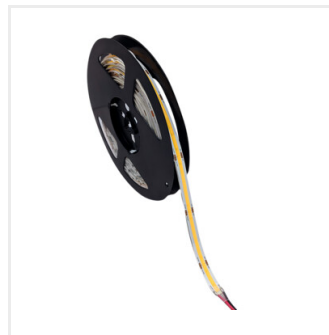
IP



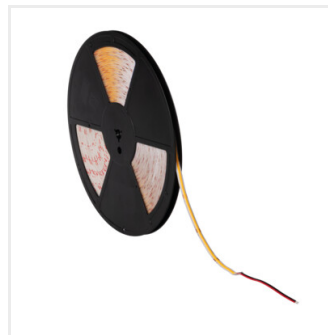
LCOB 10W/M 24 IP00-WW	<a href="#">33351</a>	0,5m = 5	0,5m=460	3000	00	5000	F
LCOB 10W/M 24 IP65-WW	<a href="#">33352</a>	0,5m = 5	0,5m=430	3000	65	5000	G
LCOB 10W/M 24 IP00-CW	<a href="#">33353</a>	0,5m = 5	0,5m=525	6500	00	5000	F
LCOB 10W/M 24 IP65-CW	<a href="#">33354</a>	0,5m = 5	0,5m=500	6500	65	5000	F
LCOB 10W/M 24 IP00-NW	<a href="#">33368</a>	0,5m = 5	0,5m=500	4000	00	5000	F
LCOB 10W/M 24 IP65-NW	<a href="#">33369</a>	0,5m = 5	0,5m=460	4000	65	5000	F
LCOBB 10W/M 24IP00-WW	<a href="#">38432</a>	0,5m = 5	0,5m=460	3000	00	25000	F
LCOBB 10W/M 24IP00-NW	<a href="#">38433</a>	0,5m = 5	0,5m=500	4000	00	25000	F
LCOBB 10W/M 24IP00-CW	<a href="#">38434</a>	0,5m = 5	0,5m=525	6500	00	25000	F
LCOBC 10W/M 24IP00-WW	<a href="#">38906</a>	0,5m = 5	0,5m=460	3000	00	50000	F
LCOBC 10W/M 24IP00-NW	<a href="#">38907</a>	0,5m = 5	0,5m=500	4000	00	50000	F
LCOBC 10W/M 24IP00-CW	<a href="#">38908</a>	0,5m = 5	0,5m=525	6500	00	50000	F



LCOB 10W/M 24 IP00



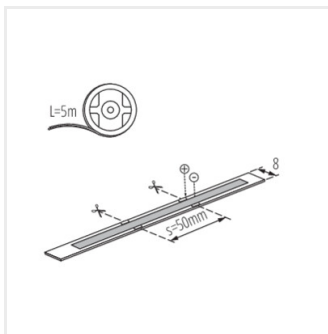
LCOB 10W/M 24 IP65



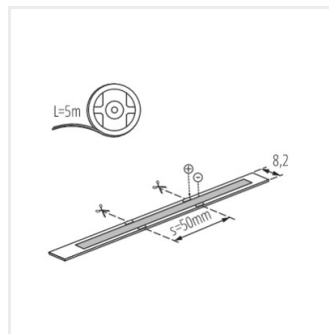
LCOBB 10W/M 24IP00



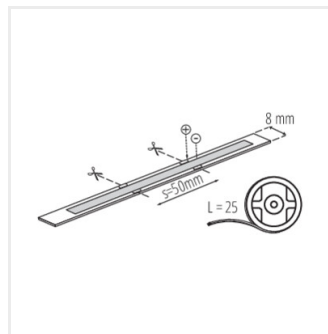
LCOBC 10W/M 24IP00



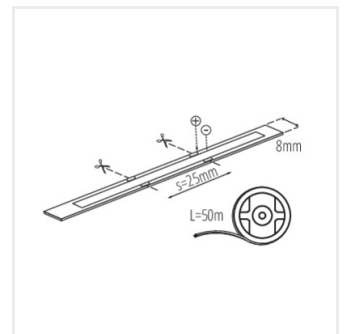
LCOB 10W/M 24 IP00



LCOB 10W/M 24 IP65



LCOBB 10W/M 24IP00



LCOBC 10W/M 24IP00

## Accessories

**38472**                      CON P 8                      LED band connector, CON P 8 (38472)



**38470**                      CON P 8 CP                      LED band connector, CON P 8 CP (38470)



**38471**                      CON P 8 CPC                      LED band connector, CON P 8 CPC (38471)



**38473**                      CON P 8 L                      LED band connector, CON P 8 L (38473)



Date of issue: 20.03.2025, 11:10

We reserve the right to make technical changes. The data contained in this material are not legally binding.

Photometry: the results obtained from testing were from a specific sample.

Kanlux S.A. ul. Objazdowa 1-3, 41-922 Radzionków, Poland [kanlux@kanlux.com](mailto:kanlux@kanlux.com)