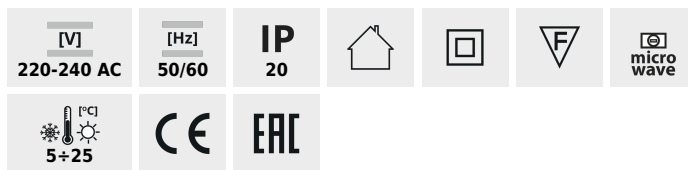


ROLF JQ

MW motion sensor



ROLF JQ-L



ROLF JQ-L	08820	1200	wall mounted, ceiling mounted, surface mounted	H360/V160	5-12	microwave
ROLF JQ-O	08821	1200	ceiling mounted	H360/V160	6-12	microwave
ROLF MINI JQ-L	08822	1200	wall mounted, ceiling mounted, surface mounted	H360/V140	10-30	microwave

Kanlux ROLF JQ is a motion detector. The horizontal angle of the detector work comes to 360 degrees. You can set adjustments of the lighting time and light intensity level at which the detector works.

- Maximum horizontal angle of operation of the motion sensor – 360°
- Capability to set the light intensity of the environment in which the device works
- Sensitivity adjustment in the range of 2...2000lx
- Motion detection 0.3...3m/s (1...10km/h)



ROLF JQ-L



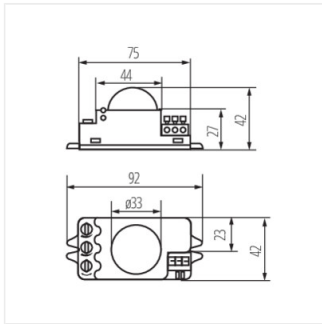
ROLF JQ-O



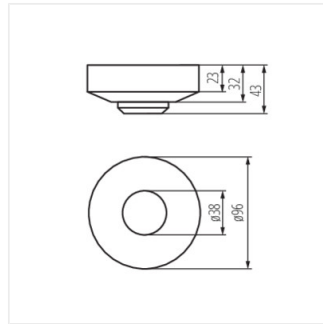
ROLF MINI JQ-L

ROLF JQ

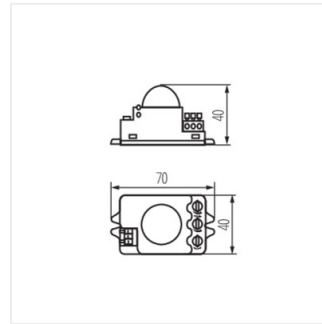
MW motion sensor



ROLF JQ-L



ROLF JQ-O



ROLF MINI JQ-L