

CIRCO N

Alimentation CV



[V] 220-240 AC	[Hz] 50	CV	PRI [V] 220-240	F	IP 20	House icon
□	Wavy line icon	[mm ²] 0,5	°C 5+25	Recycling icon	CE	EAC
UK CA	Down arrow icon					



CIRCO N LED 12VDC 10W

SEC [V]



CIRCO N LED 12VDC 10W	24242	12 DC	0-10
CIRCO N LED 12VDC 15W	24243	12 DC	0-15



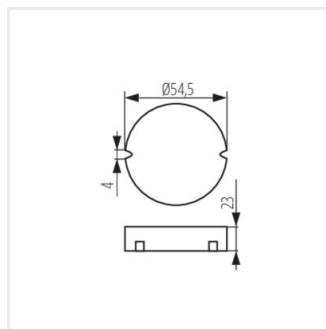
CIRCO N LED 12VDC 10W



CIRCO N LED 12VDC 15W

CIRCO N

Alimentation CV



CIRCO N LED 12VDC