

## T8 LED GLASSv4

Source lumineuse LED



up to  
**160** lm/W



[V] 220-240 AC	[Hz] 50	T8 LED	SMD	360° Φ <sub>use</sub>	Ellipse ≤ 6x MacAdam	Ra 80
≥30000	30000 [h]	Hg			ONE SIDE INPUT	°C -10÷40
CE	EAC	UK CA				



### T8 LED GLASSv4 9W-NW



	PON [W]	[lm] Φ <sub>use</sub>	Tc [K]	[°]	G13	Ei A1 G
T8 LED GLASSv4 9W-NW	<b>33210</b>	9	1440	4000	220	G13 C
T8 LED GLASSv4 9W-CW	<b>33211</b>	9	1440	6500	220	G13 C
T8 LED GLASSv4 18W-NW	<b>33212</b>	18	2880	4000	220	G13 C
T8 LED GLASSv4 18W-CW	<b>33213</b>	18	2880	6500	220	G13 C
T8 LED GLASSv4 22W-NW	<b>33218</b>	22	3520	4000	220	G13 C
T8 LED GLASSv4 22W-CW	<b>33219</b>	22	3520	6500	220	G13 C

- Tube LED alimenté par une seule extrémité
- Une garantie de 3 ans accordée conformément aux termes de la déclaration de garantie disponible sur le site d'Internet
- Matériau du diffuseur: verre

## T8 LED GLASSv4

Source lumineuse LED



T8 LED GLASSv4 9W-NW



T8 LED GLASSv4 9W-CW



T8 LED GLASSv4 18W-NW



T8 LED GLASSv4 18W-CW



T8 LED GLASSv4 22W-NW

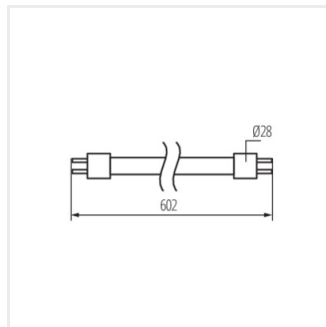


T8 LED GLASSv4 22W-CW

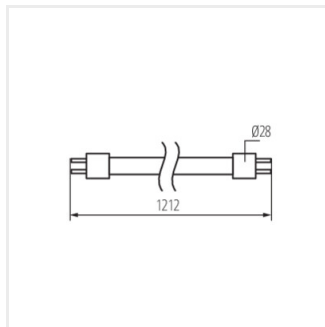
## T8 LED GLASSv4

---

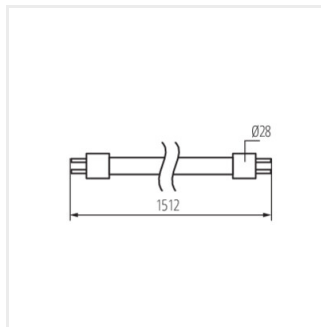
### Source lumineuse LED



T8 LED GLASSv4 9W



T8 LED GLASSv4 18W



T8 LED GLASSv4 22W

### Accessoires

**26069**

T8 LED STARTER Replacement LED light switch  
(26069)

