

Kanlux



Kanlux BENO CCT

- Une garantie de 5 ans accordée conformément aux termes de la déclaration de garantie disponible sur le site d'Internet

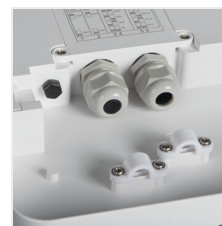


CCT

**SELECT
ABLE
POWER**

**IP
65**

 220-240 AC	 50	 110	 ≥30000	 50000	 ≤ 6x MacAdam	 80
 Hg	 SMD	 RoHS	 □	IP 65	 House	 -15÷35
 Cutout	 Box	 0,75÷1,5	 0,5m	CE	EAC	UK CA



BENO 12-18W CCT-L G



BENO 12-18W CCT-L G	38787	12 / 18	max 1630 / 1770 / 1750	3000/3500/4000	graphite	
BENO 12-18W CCT-L W	38776	12 / 18	max 1840 / 2000 / 1980	3000/3500/4000	blanc	
BENO 12-18W CCT-L-SEG	38788	12 / 18	max 1630 / 1770 / 1750	3000/3500/4000	graphite	Hyperfréquence
BENO 12-18W CCT-L-SEW	38775	12 / 18	max 1840 / 2000 / 1980	3000/3500/4000	blanc	Hyperfréquence
BENO 12-18W CCT-O G	38789	12 / 18	max 1610 / 1740 / 1740	3000/3500/4000	graphite	
BENO 12-18W CCT-O W	38778	12 / 18	max 1920 / 2080 / 2060	3000/3500/4000	blanc	
BENO 12-18W CCT-O-SEG	38790	12 / 18	max 1610 / 1740 / 1740	3000/3500/4000	graphite	Hyperfréquence
BENO 12-18W CCT-O-SEW	38777	12 / 18	max 1920 / 2080 / 2060	3000/3500/4000	blanc	Hyperfréquence
BENO 24-30W CCT-L G	38779	24 / 30	max 2690 / 2940 / 2880	3000/3500/4000	graphite	
BENO 24-30W CCT-L W	38782	24 / 30	max 3180 / 3490 / 3410	3000/3500/4000	blanc	
BENO 24-30W CCT-L-SEG	38780	24 / 30	max 2690 / 2940 / 2880	3000/3500/4000	graphite	Hyperfréquence
BENO 24-30W CCT-L-SEW	38781	24 / 30	max 3180 / 3490 / 3410	3000/3500/4000	blanc	Hyperfréquence
BENO 24-30W CCT-O G	38783	24 / 30	max 2850 / 3120 / 3050	3000/3500/4000	graphite	
BENO 24-30W CCT-O W	38786	24 / 30	max 3230 / 3530 / 3460	3000/3500/4000	blanc	
BENO 24-30W CCT-O-SEG	38784	24 / 30	max 2850 / 3120 / 3050	3000/3500/4000	graphite	Hyperfréquence
BENO 24-30W CCT-O-SEW	38785	24 / 30	max 3230 / 3530 / 3460	3000/3500/4000	blanc	Hyperfréquence



BENO 12-18W CCT-L G



BENO 12-18W CCT-L W



BENO 12-18W CCT-L-SEG



BENO 12-18W CCT-L-SEW



BENO 12-18W CCT-O G



BENO 12-18W CCT-O W



BENO 12-18W CCT-O-SEG



BENO 12-18W CCT-O-SEW



BENO 24-30W CCT-L G



BENO 24-30W CCT-L W



BENO 24-30W CCT-L-SEG



BENO 24-30W CCT-L-SEW



BENO 24-30W CCT-O G



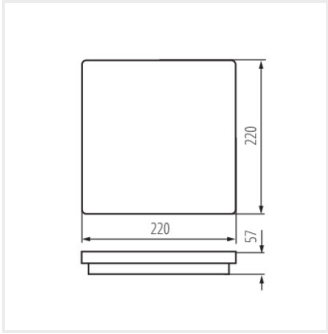
BENO 24-30W CCT-O W



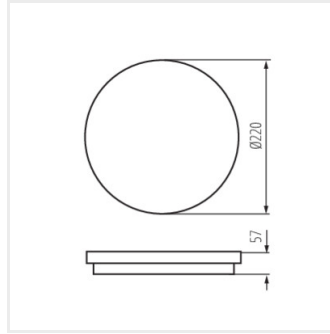
BENO 24-30W CCT-O-SEG



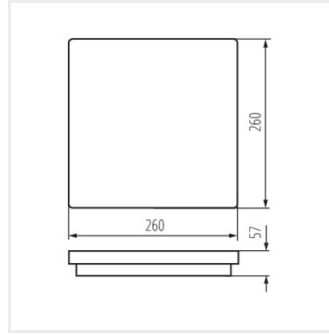
BENO 24-30W CCT-O-SEW



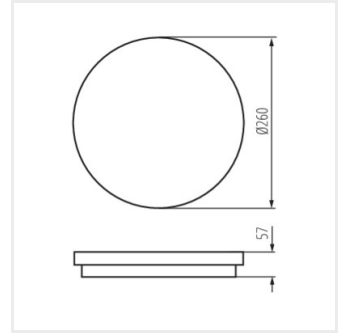
BENO 12-18W CCT-L



BENO 12-18W CCT-O



BENO 24-30W CCT-L



BENO 24-30W CCT-O

BENO 12-18W CCT-L G

12W	18W		
3000K 1100lm	3000K 1630lm		
3500K 1180lm	3500K 1770lm		
4000K 1190lm	4000K 1750lm		

BENO 12-18W CCT-O G

12W	18W		
3000K 1070lm	3000K 1610lm		
3500K 1150lm	3500K 1740lm		
4000K 1170lm	4000K 1740lm		

BENO 24-30W CCT-L G

24W	30W		
3000K 2190lm	3000K 2690lm		
3500K 2380lm	3500K 2940lm		
4000K 2350lm	4000K 2880lm		

BENO 24-30W CCT-O G

24W	30W		
3000K 2330lm	3000K 2850lm		
3500K 2530lm	3500K 3120lm		
4000K 2500lm	4000K 3050lm		

BENO 12-18W CCT-L W

12W	18W		
3000K 1230lm	3000K 1840lm		
3500K 1310lm	3500K 2000lm		
4000K 1320lm	4000K 1980lm		

BENO 12-18W CCT-O W

12W	18W		
3000K 1300lm	3000K 1920lm		
3500K 1400lm	3500K 2080lm		
4000K 1400lm	4000K 2060lm		

BENO 24-30W CCT-L W

24W	30W		
3000K 2610lm	3000K 3180lm		
3500K 2820lm	3500K 3490lm		
4000K 2790lm	4000K 3410lm		

BENO 24-30W CCT-O W

24W	30W		
3000K 2650lm	3000K 3230lm		
3500K 2860lm	3500K 3530lm		
4000K 2820lm	4000K 3460lm		

BENO 12-18W CCT-L-SEG

12W	18W		
3000K 1100lm	3000K 1630lm		
3500K 1180lm	3500K 1770lm		
4000K 1190lm	4000K 1750lm		

BENO 12-18W CCT-O-SEG

12W	18W		
3000K 1070lm	3000K 1610lm		
3500K 1150lm	3500K 1740lm		
4000K 1170lm	4000K 1740lm		

BENO 24-30W CCT-L-SEG

24W	30W		
3000K 2190lm	3000K 2690lm		
3500K 2380lm	3500K 2940lm		
4000K 2350lm	4000K 2880lm		

BENO 24-30W CCT-O-SEG

24W	30W		
3000K 2330lm	3000K 2850lm		
3500K 2530lm	3500K 3120lm		
4000K 2500lm	4000K 3050lm		

BENO 12-18W CCT-L-SEW

12W	18W		
3000K 1230lm	3000K 1840lm		
3500K 1310lm	3500K 2000lm		
4000K 1320lm	4000K 1980lm		

BENO 12-18W CCT-O-SEW

12W	18W		
3000K 1300lm	3000K 1920lm		
3500K 1400lm	3500K 2080lm		
4000K 1400lm	4000K 2060lm		

BENO 24-30W CCT-L-SEW

24W	30W		
3000K 2610lm	3000K 3180lm		
3500K 2820lm	3500K 3490lm		
4000K 2790lm	4000K 3410lm		

BENO 24-30W CCT-O-SEW

24W	30W		
3000K 2650lm	3000K 3230lm		
3500K 2860lm	3500K 3530lm		
4000K 2820lm	4000K 3460lm		

Date of Issue: 03.02.2025, 09:11

Nous nous réservons le droit d'apporter toute modification technique sans information préalable. Les données de ce contenu ne sont pas juridiquement contraignantes.

Photométrie : Résultats obtenus en testant un échantillon déterminé.

Kanlux S.A. ul. Objazdowa 1-3, 41-922 Radzionków, Poland kanlux@kanlux.com

FR