

## KP-TB

### Elosztóblokk

$[V]$ 230 AC	$[Hz]$ 50	$In[A]$ 63	<b>IP</b> 00	$[mm^2]$ 1÷16
-----------------	--------------	---------------	-----------------	------------------



KP-TB-63-26-BL(S)

KP-TB-63-26-BL(S)	<a href="#">32632</a>
KP-TB-63-26-G(S)	<a href="#">32633</a>
KP-TB-63-6-BL(S)	<a href="#">32634</a>
KP-TB-63-6-G(S)	<a href="#">32635</a>



KP-TB-63-26-BL(S)



KP-TB-63-26-G(S)



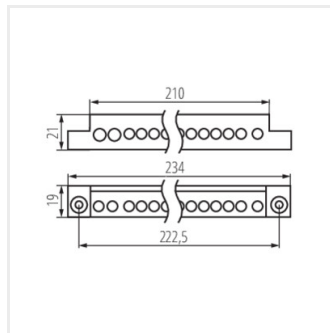
KP-TB-63-6-BL(S)



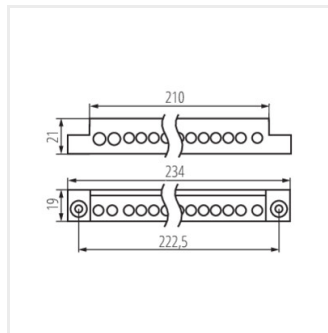
KP-TB-63-6-G(S)

## KP-TB

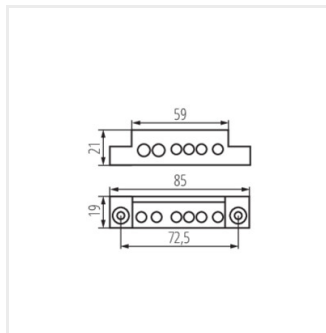
### Elosztóblokk



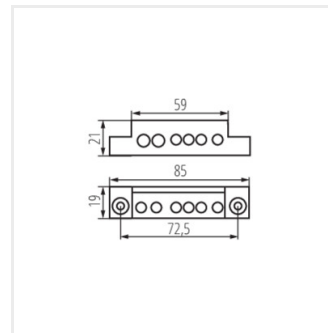
KP-TB-63-26-BL(S)



KP-TB-63-26-G(S)



KP-TB-63-6-BL(S)



KP-TB-63-6-G(S)