

T8 LED

LED fényforrás

100 $\frac{\text{lm}}{\text{W}}$

GLASS tube

IC driver

[V] 220-240 AC	[Hz] 50	T8 LED	SMD	360° Φ _{use}	ellipse ≤ 6x Macadam	Ra 80
≥20000	20000 [h]	RoHS	REACH	ONE SIDE INPUT	-10+40 [°C]	CE
EAC	UK CA	Energy Star				



T8 LED 9-NW



	PON [lm/W]	[lm] Φ _{use}	Tc [K]	[°]	G13	Ei A1 G
T8 LED 9-NW	37630	9	900	4000	200	F
T8 LED 9-CW	37631	9	900	6500	200	F
T8 LED 18-NW	37632	18	1820	4000	200	F
T8 LED 18-CW	37633	18	1820	6500	200	F
T8 LED 22-CW	37635	22	2270	6500	200	F

- Búra anyaga: üveg

T8 LED

LED fényforrás



T8 LED 9-NW



T8 LED 9-CW



T8 LED 18-NW



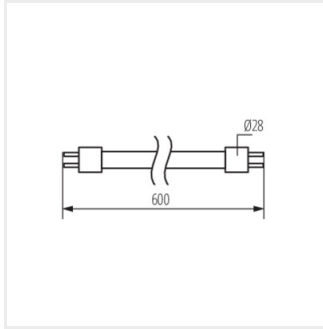
T8 LED 18-CW



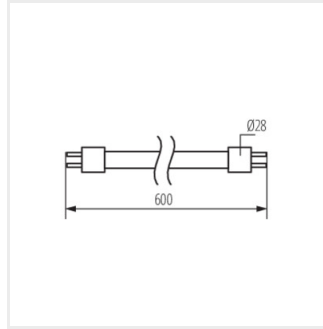
T8 LED 22-CW

T8 LED

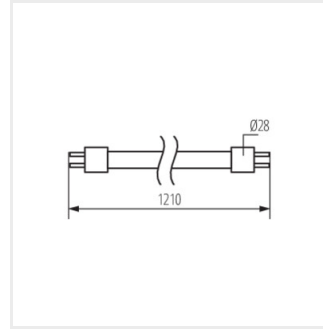
LED fényforrás



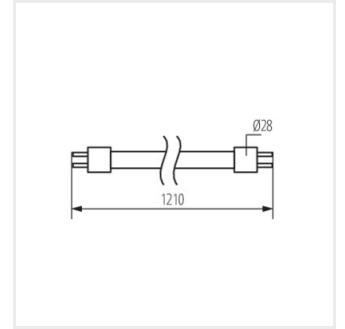
T8 LED 9-NW



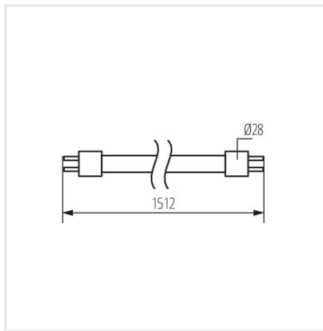
T8 LED 9-CW



T8 LED 18-NW



T8 LED 18-CW



T8 LED 22-CW