

CONTROLLER RGBW

Controller per nastri led



IP
20



EAC



CTRL 12/24V 10A RGBW

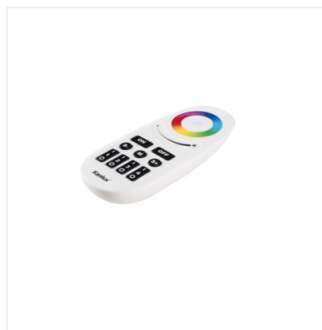


CTRL 12/24V 10A RGBW	22143	bianco	12 DC; 24 DC	max 10		max 30
REMOTE RGBW	22146	bianco	2 x 1,5 DC		2 x AAA	max 30

- Materiale: materiale plastico



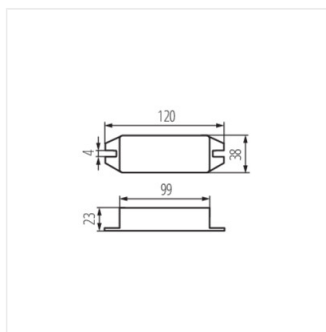
CTRL 12/24V 10A RGBW



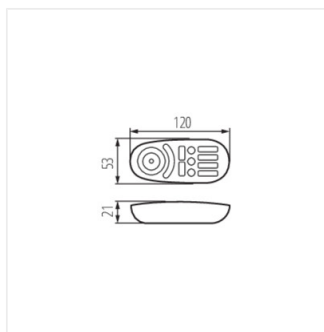
REMOTE RGBW

CONTROLLER RGBW

Controller per nastri led



CTRL 12/24V 10A RGBW



REMOTE RGBW