

## KMB6

Interruttore automatico magnetotermico, 3P



[Hz] 50	 C	 3P	 3	IP 20	 1÷25	 5÷40
 TH 35	 500	 CE	 EAC	 VDE	 UK CA	 ♻️

KMB6-C25/3

	[V]		In [A]
KMB6-C25/3	<b>23148</b>	230/400 AC	3 25
KMB6-C20/3	<b>23150</b>	230/400 AC	3 20
KMB6-C16/3	<b>23154</b>	230/400 AC	3 16
KMB6-C32/3	<b>23155</b>	230/400 AC	3 32
KMB6-C10/3	<b>23163</b>	230/400 AC	3 10
KMB6-C40/3	<b>23165</b>	230/400 AC	3 40
KMB6-C63/3	<b>23166</b>	230/400 AC	3 63
KMB6-C6/3	<b>23167</b>	230/400 AC	3 6
KMB6-C50/3	<b>23169</b>	230/400 AC	3 50
KMB6-C13/3	<b>32585</b>	230/400 AC	3 13

Interruttore automatico magnetotermico: utilizzato per la protezione da sovraccarichi e cortocircuiti .

Conforme alle norme EN60898-1.

## KMB6

Interruttore automatico magnetotermico, 3P



KMB6-C25/3



KMB6-C20/3



KMB6-C16/3



KMB6-C32/3



KMB6-C10/3



KMB6-C40/3



KMB6-C63/3



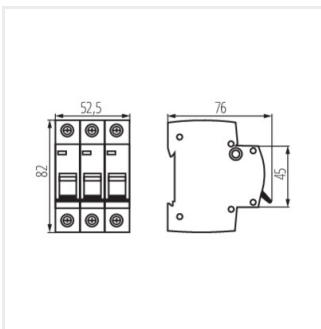
KMB6-C6/3



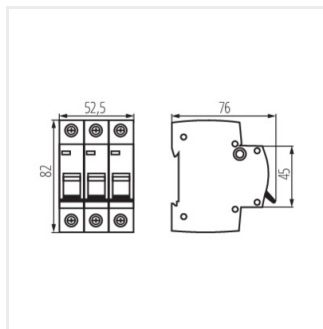
KMB6-C50/3



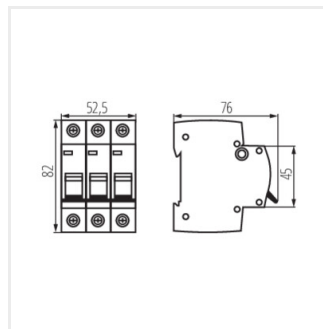
KMB6-C13/3



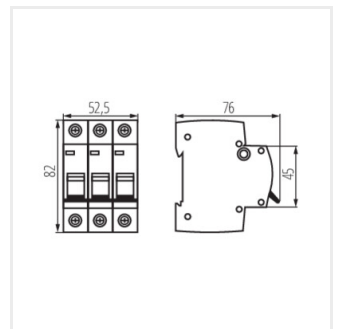
KMB6-C25/3



KMB6-C20/3



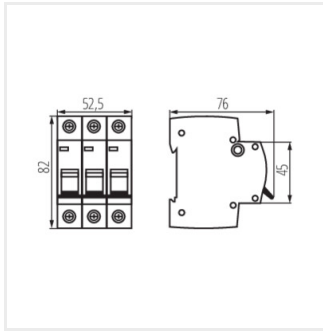
KMB6-C16/3



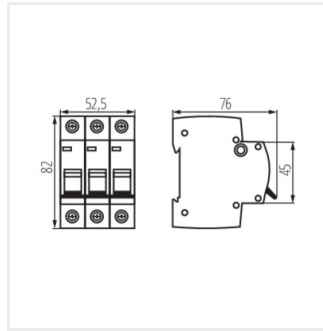
KMB6-C32/3

## KMB6

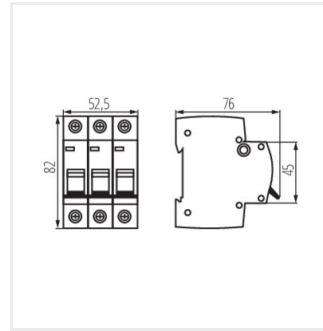
Interruttore automatico magnetotermico, 3P



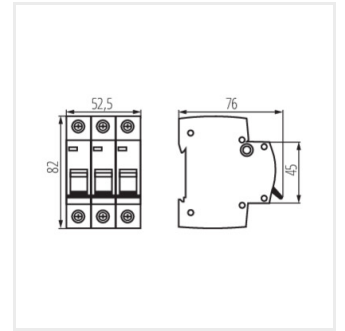
KMB6-C10/3



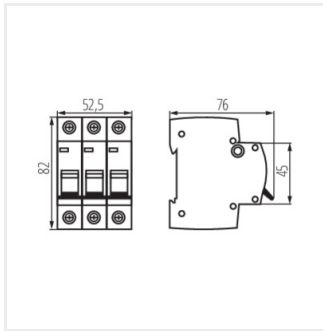
KMB6-C40/3



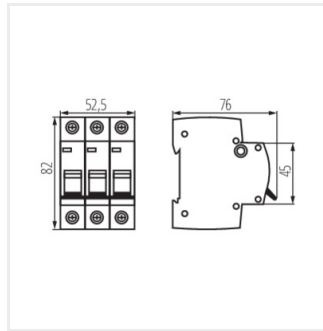
KMB6-C63/3



KMB6-C6/3



KMB6-C50/3



KMB6-C13/3