

## KMB6

Interruttore automatico magnetotermico, 1P



[Hz] 50	 B	1P	1	IP 20	 1÷25	 5÷40
TH 35	Ui [V] 500	CE	EAC	VDE	UK CA	

KMB6-B16/1

	[V]		In [A]
KMB6-B16/1	<b>23140</b>	230/400 AC	1 16
KMB6-B10/1	<b>23141</b>	230/400 AC	1 10
KMB6-B20/1	<b>23142</b>	230/400 AC	1 20
KMB6-B6/1	<b>23144</b>	230/400 AC	1 6
KMB6-B25/1	<b>23147</b>	230/400 AC	1 25
KMB6-B2/1	<b>23156</b>	230/400 AC	1 2
KMB6-B13/1	<b>23158</b>	230/400 AC	1 13
KMB6-B32/1	<b>23162</b>	230/400 AC	1 32
KMB6-B40/1	<b>23174</b>	230/400 AC	1 40
KMB6-B1/1	<b>23175</b>	230/400 AC	1 1
KMB6-B50/1	<b>23176</b>	230/400 AC	1 50
KMB6-B63/1	<b>23177</b>	230/400 AC	1 63
KMB6-B4/1	<b>23179</b>	230/400 AC	1 4

Interruttore automatico magnetotermico: utilizzato per la protezione da sovraccarichi e cortocircuiti Conforme alle norme EN60898-1.

## KMB6

Interruttore automatico magnetotermico, 1P



KMB6-B16/1



KMB6-B10/1



KMB6-B20/1



KMB6-B6/1



KMB6-B25/1



KMB6-B2/1



KMB6-B13/1



KMB6-B32/1



KMB6-B40/1



KMB6-B1/1



KMB6-B50/1



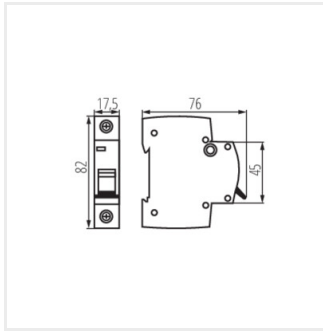
KMB6-B63/1



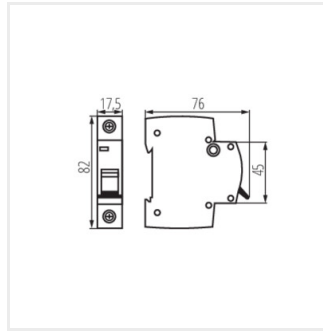
KMB6-B4/1

## KMB6

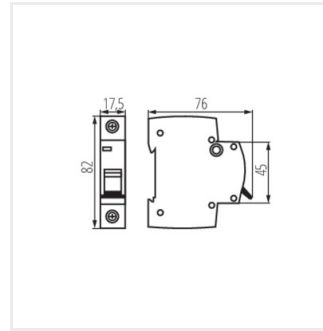
Interruttore automatico magnetotermico, 1P



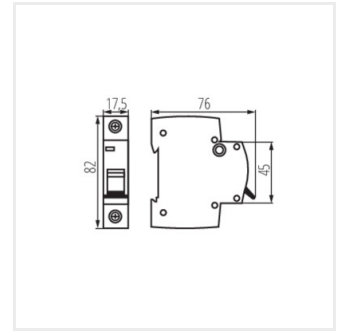
KMB6-B16/1



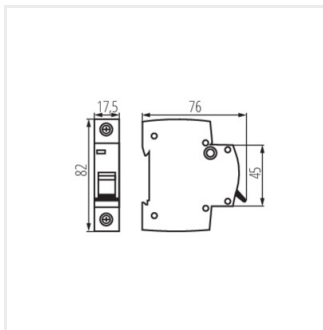
KMB6-B10/1



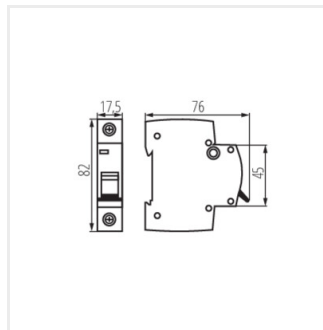
KMB6-B20/1



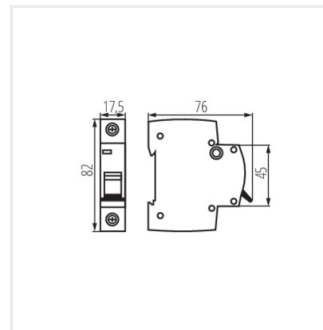
KMB6-B6/1



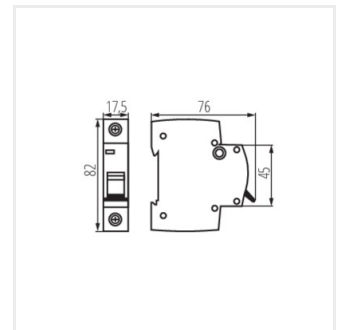
KMB6-B25/1



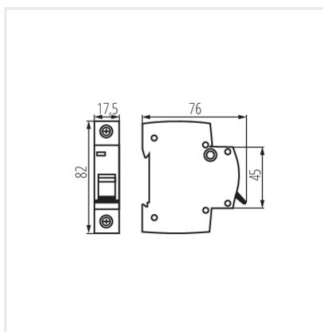
KMB6-B2/1



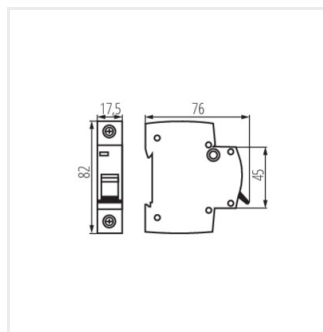
KMB6-B13/1



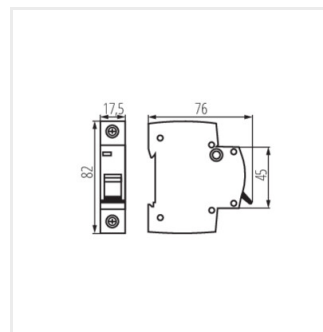
KMB6-B32/1



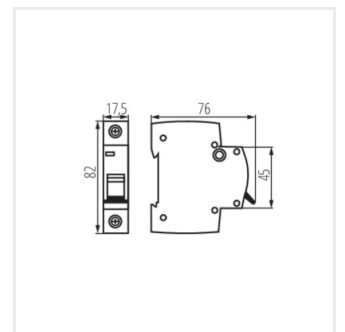
KMB6-B40/1



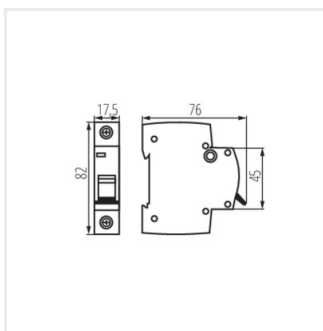
KMB6-B1/1



KMB6-B50/1



KMB6-B63/1



KMB6-B4/1