

## KMB6

Interruttori automatici, 2P



[Hz] 50	 C	 2P	 2	IP 20	 1÷25	 5÷40
 TH 35	 500	 CE	 EAC	 VDE	 UK CA	

KMB6-C16/2

	 [V]		 In [A]
KMB6-C16/2	<b>23178</b>	230 AC	2 16
KMB6-C6/2	<b>32583</b>	230 AC	2 6
KMB6-C10/2	<b>32584</b>	230 AC	2 10
KMB6-C20/2	<b>32586</b>	230 AC	2 20
KMB6-C25/2	<b>32587</b>	230 AC	2 25
KMB6-C32/2	<b>32588</b>	230 AC	2 32
KMB6-C40/2	<b>32589</b>	230 AC	2 40
KMB6-C50/2	<b>32590</b>	230 AC	2 50
KMB6-C63/2	<b>32591</b>	230 AC	2 63

Interruttore automatico magnetotermico: utilizzato per la protezione da sovraccarichi e cortocircuiti.  
Conforme alle norme EN60898-1.

## KMB6

Interruttori automatici, 2P



KMB6-C16/2



KMB6-C6/2



KMB6-C10/2



KMB6-C20/2



KMB6-C25/2



KMB6-C32/2



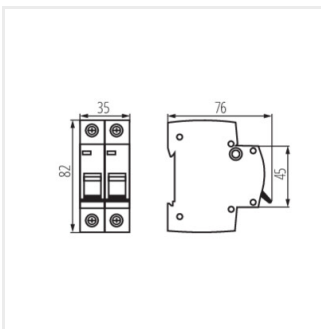
KMB6-C40/2



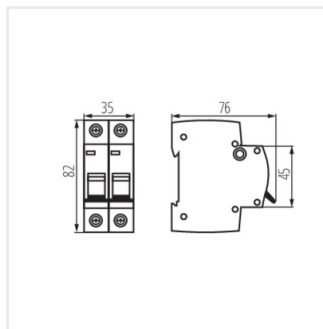
KMB6-C50/2



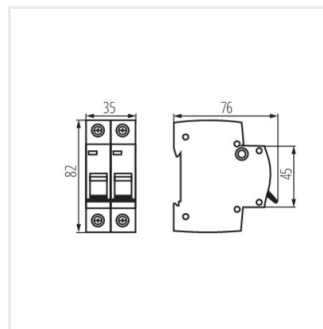
KMB6-C63/2



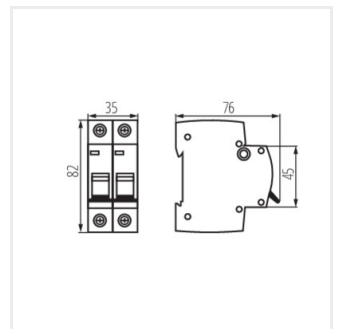
KMB6-C16/2



KMB6-C6/2



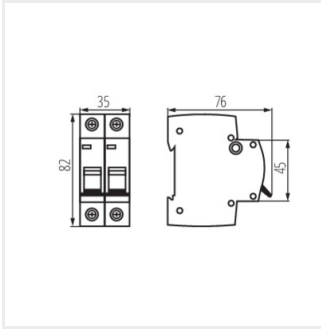
KMB6-C10/2



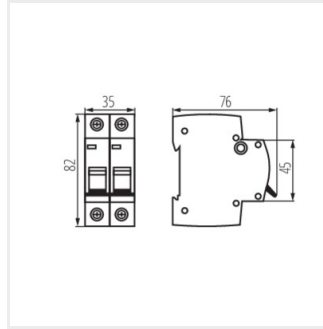
KMB6-C20/2

## KMB6

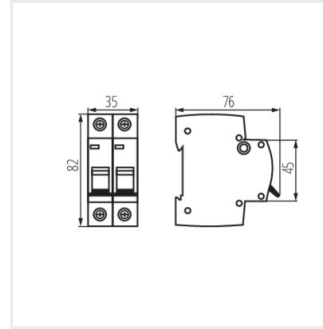
### Interruttori automatici, 2P



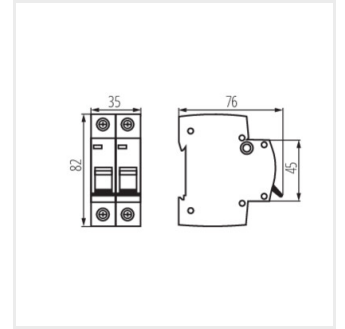
KMB6-C25/2



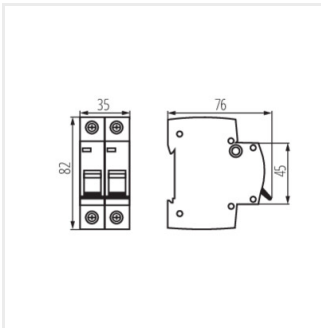
KMB6-C32/2



KMB6-C40/2



KMB6-C50/2



KMB6-C63/2