

## ALD-MH-PT

Plafoniera LED lineare



[V] 220-240 AC	[Hz] 50	≥30000	[h] 50000	ellipse ≤3x Macadam	Ra 80	SMD
DALI		IP 20		[°C] 5÷25		
[mm²] 0,5÷2,5		0,5m	CE	EAC	UK CA	



### ALD-MH-NW-MAT-W-PT

	[W]	Tc [K]	TYPE	[°]		[m]	[mm]
ALD-MH-NW-MAT-W-PT	<b>34261</b>	40	4000	opaco	X85/Y95	bianco	5050 1150
ALD-MH-WW-MAT-W-PT	<b>34263</b>	40	3000	opaco	X85/Y95	bianco	4500 1150
ALD-MH-NW-MPR-W-PT	<b>34265</b>	40	4000	microprismatico	X75/Y90	bianco	4650 1150
ALD-MH-WW-MPR-W-PT	<b>34267</b>	40	3000	microprismatico	X75/Y90	bianco	4150 1150
ALD-MH-NW-MAT-B-PT	<b>34273</b>	40	4000	opaco	X85/Y95	nero	5050 1150
ALD-MH-WW-MAT-B-PT	<b>34275</b>	40	3000	opaco	X85/Y95	nero	4500 1150
ALD-MH-NW-MPR-B-PT	<b>34277</b>	40	4000	microprismatico	X75/Y90	nero	4650 1150
ALD-MH-WW-MPR-B-PT	<b>34279</b>	40	3000	microprismatico	X75/Y90	nero	4150 1150
ALD-MH-NW-MAT-S-PT	<b>34285</b>	40	4000	opaco	X85/Y95	argento	5050 1150
ALD-MH-WW-MAT-S-PT	<b>34287</b>	40	3000	opaco	X85/Y95	argento	4500 1150
ALD-MH-NW-MPR-S-PT	<b>34289</b>	40	4000	microprismatico	X75/Y90	argento	4650 1150
ALD-MH-WW-MPR-S-PT	<b>34291</b>	40	3000	microprismatico	X75/Y90	argento	4150 1150

- 5 anni di garanzia secondo le condizioni della dichiarazione di garanzia consultabile sul sito Internet
- Materiale del corpo: metallo
- Diffusore: plastica

## ALD-MH-PT

Plafoniera LED lineare



ALD-MH-NW-MAT-W-PT



ALD-MH-WW-MAT-W-PT



ALD-MH-NW-MPR-W-PT



ALD-MH-WW-MPR-W-PT



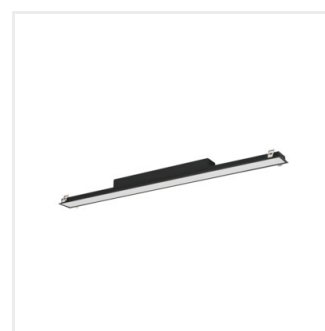
ALD-MH-NW-MAT-B-PT



ALD-MH-WW-MAT-B-PT



ALD-MH-NW-MPR-B-PT



ALD-MH-WW-MPR-B-PT



ALD-MH-NW-MAT-S-PT



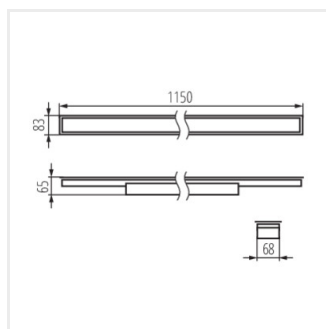
ALD-MH-WW-MAT-S-PT



ALD-MH-NW-MPR-S-PT



ALD-MH-WW-MPR-S-PT



ALD-MH