

OFIS RST LED N3

Plafoniera LED per ufficio non da incasso



[V] 220-240 AC	[Hz] 50	≥30000	50000	ellipse ≤3x MacAdam	Ra 80	SMD
		IP 20		°C 5÷25		
[mm²] 1,5÷2,5	m 0,5m					



OS-H5D-NW-RST-B-N3



	[W]	[lm]	Tc [K]	TYPE	[°]		
OS-H5D-NW-RST-B-N3	35967	49W	5600	4000	raster	50	nero
OS-H5D-NW-RST-W-N3	35839	49W	6300	4000	raster	50	bianco
OS-H5D-WN-RST-B-N3	36143	49W	5600	3500	raster	50	nero
OS-H5D-WN-RST-W-N3	36079	49W	6300	3500	raster	50	bianco
OS-H5D-WW-RST-B-N3	35951	49W	5600	3000	raster	50	nero
OS-H5D-WW-RST-W-N3	35823	49W	6300	3000	raster	50	bianco
OS-H8D-NW-RST-B-N3	35999	49W	5600	4000	raster	80	nero
OS-H8D-NW-RST-W-N3	35871	49W	6300	4000	raster	80	bianco
OS-H8D-WN-RST-B-N3	36159	49W	5600	3500	raster	80	nero
OS-H8D-WN-RST-W-N3	36095	49W	6300	3500	raster	80	bianco
OS-H8D-WW-RST-B-N3	35983	49W	5600	3000	raster	80	nero
OS-H8D-WW-RST-W-N3	35855	49W	6300	3000	raster	80	bianco
OS-L5D-NW-RST-B-N3	35959	31W	3800	4000	raster	50	nero
OS-L5D-NW-RST-W-N3	35831	31W	4300	4000	raster	50	bianco
OS-L5D-WN-RST-B-N3	36135	31W	3800	3500	raster	50	nero
OS-L5D-WN-RST-W-N3	36071	31W	4300	3500	raster	50	bianco

OFIS RST LED N3

Plafoniera LED per ufficio non da incasso



Modello	Prezzo	Consumo (W)	Flusso luminoso (lm)	Temperatura colore (Tc [K])	Distribuzione	Angolo (°)	Qualità luce
OS-L5D-WW-RST-B-N3	35943	31W	3800	3000	raster	50	nero
OS-L5D-WW-RST-W-N3	35815	31W	4300	3000	raster	50	bianco
OS-L8D-NW-RST-B-N3	35991	31W	3800	4000	raster	80	nero
OS-L8D-NW-RST-W-N3	35863	31W	4300	4000	raster	80	bianco
OS-L8D-WN-RST-B-N3	36151	31W	3800	3500	raster	80	nero
OS-L8D-WN-RST-W-N3	36087	31W	4300	3500	raster	80	bianco
OS-L8D-WW-RST-B-N3	35975	31W	3800	3000	raster	80	nero
OS-L8D-WW-RST-W-N3	35847	31W	4300	3000	raster	80	bianco
OS-M5D-NW-RST-B-N3	35963	39W	4800	4000	raster	50	nero
OS-M5D-NW-RST-W-N3	35835	39W	5400	4000	raster	50	bianco
OS-M5D-WN-RST-B-N3	36139	39W	4800	3500	raster	50	nero
OS-M5D-WN-RST-W-N3	36075	39W	5400	3500	raster	50	bianco
OS-M5D-WW-RST-B-N3	35947	39W	4800	3000	raster	50	nero
OS-M5D-WW-RST-W-N3	35819	39W	5400	3000	raster	50	bianco
OS-M8D-NW-RST-B-N3	35995	39W	4800	4000	raster	80	nero
OS-M8D-NW-RST-W-N3	35867	39W	5400	4000	raster	80	bianco
OS-M8D-WN-RST-B-N3	36155	39W	4800	3500	raster	80	nero
OS-M8D-WN-RST-W-N3	36091	39W	5400	3500	raster	80	bianco
OS-M8D-WW-RST-B-N3	35979	39W	4800	3000	raster	80	nero
OS-M8D-WW-RST-W-N3	35851	39W	5400	3000	raster	80	bianco
OS-S5D-NW-RST-B-N3	35955	22W	2800	4000	raster	50	nero
OS-S5D-NW-RST-W-N3	35827	22W	3200	4000	raster	50	bianco
OS-S5D-WN-RST-B-N3	36131	22W	2800	3500	raster	50	nero
OS-S5D-WN-RST-W-N3	36067	22W	3200	3500	raster	50	bianco
OS-S5D-WW-RST-B-N3	35939	22W	2800	3000	raster	50	nero
OS-S5D-WW-RST-W-N3	35811	22W	3200	3000	raster	50	bianco
OS-S8D-NW-RST-B-N3	35987	22W	2800	4000	raster	80	nero
OS-S8D-NW-RST-W-N3	35859	22W	3200	4000	raster	80	bianco
OS-S8D-WN-RST-B-N3	36147	22W	2800	3500	raster	80	nero
OS-S8D-WN-RST-W-N3	36083	22W	3200	3500	raster	80	bianco
OS-S8D-WW-RST-B-N3	35971	22W	2800	3000	raster	80	nero
OS-S8D-WW-RST-W-N3	35843	22W	3200	3000	raster	80	bianco

- 5 anni di garanzia secondo le condizioni della dichiarazione di garanzia consultabile sul sito Internet
- Materiale del corpo: metallo
- Diffusore: plastica

OFIS RST LED N3

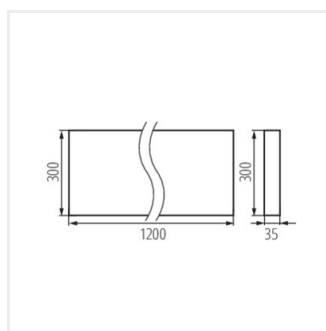
Plafoniera LED per ufficio non da incasso



OS RST B N3



OS RST W N3



OS RST N3

