

OFIS RST LED P3

Plafoniera LED per ufficio ad incasso



[V] 220-240 AC	[Hz] 50	≥30000	50000	ellipse ≤3x MacAdam	Ra 80	SMD
		IP 20		°C 5÷25		
[mm²] 1,5÷2,5	0,5m	CE	EAC	UK CA		



OS-H5D-NW-RST-B-P3



	[W]	[lm]	Tc [K]	TYPE	[°]		
OS-H5D-NW-RST-B-P3	35969	49W	5600	4000	raster	50	nero
OS-H5D-NW-RST-W-P3	35841	49W	6300	4000	raster	50	bianco
OS-H5D-WN-RST-B-P3	36145	49W	5600	3500	raster	50	nero
OS-H5D-WN-RST-W-P3	36081	49W	6300	3500	raster	50	bianco
OS-H5D-WW-RST-B-P3	35953	49W	5600	3000	raster	50	nero
OS-H5D-WW-RST-W-P3	35825	49W	6300	3000	raster	50	bianco
OS-H8D-NW-RST-B-P3	36001	49W	5600	4000	raster	80	nero
OS-H8D-NW-RST-W-P3	35873	49W	6300	4000	raster	80	bianco
OS-H8D-WN-RST-B-P3	36161	49W	5600	3500	raster	80	nero
OS-H8D-WN-RST-W-P3	36097	49W	6300	3500	raster	80	bianco
OS-H8D-WW-RST-B-P3	35985	49W	5600	3000	raster	80	nero
OS-H8D-WW-RST-W-P3	35857	49W	6300	3000	raster	80	bianco
OS-L5D-NW-RST-B-P3	35961	31W	3800	4000	raster	50	nero
OS-L5D-NW-RST-W-P3	35833	31W	4300	4000	raster	50	bianco
OS-L5D-WN-RST-B-P3	36137	31W	3800	3500	raster	50	nero
OS-L5D-WN-RST-W-P3	36073	31W	4300	3500	raster	50	bianco

OFIS RST LED P3

Plafoniera LED per ufficio ad incasso



OS-L5D-WW-RST-B-P3	35945	31W	3800	3000	raster	50	nero
OS-L5D-WW-RST-W-P3	35817	31W	4300	3000	raster	50	bianco
OS-L8D-NW-RST-B-P3	35993	31W	3800	4000	raster	80	nero
OS-L8D-NW-RST-W-P3	35865	31W	4300	4000	raster	80	bianco
OS-L8D-WN-RST-B-P3	36153	31W	3800	3500	raster	80	nero
OS-L8D-WN-RST-W-P3	36089	31W	4300	3500	raster	80	bianco
OS-L8D-WW-RST-B-P3	35977	31W	3800	3000	raster	80	nero
OS-L8D-WW-RST-W-P3	35849	31W	4300	3000	raster	80	bianco
OS-M5D-NW-RST-B-P3	35965	39W	4800	4000	raster	50	nero
OS-M5D-NW-RST-W-P3	35837	39W	5400	4000	raster	50	bianco
OS-M5D-WN-RST-B-P3	36141	39W	4800	3500	raster	50	nero
OS-M5D-WN-RST-W-P3	36077	39W	5400	3500	raster	50	bianco
OS-M5D-WW-RST-B-P3	35949	39W	4800	3000	raster	50	nero
OS-M5D-WW-RST-W-P3	35821	39W	5400	3000	raster	50	bianco
OS-M8D-NW-RST-B-P3	35997	39W	4800	4000	raster	80	nero
OS-M8D-NW-RST-W-P3	35869	39W	5400	4000	raster	80	bianco
OS-M8D-WN-RST-B-P3	36157	39W	4800	3500	raster	80	nero
OS-M8D-WN-RST-W-P3	36093	39W	5400	3500	raster	80	bianco
OS-M8D-WW-RST-B-P3	35981	39W	4800	3000	raster	80	nero
OS-M8D-WW-RST-W-P3	35853	39W	5400	3000	raster	80	bianco
OS-S5D-NW-RST-B-P3	35957	22W	2800	4000	raster	50	nero
OS-S5D-NW-RST-W-P3	35829	22W	3200	4000	raster	50	bianco
OS-S5D-WN-RST-B-P3	36133	22W	2800	3500	raster	50	nero
OS-S5D-WN-RST-W-P3	36069	22W	3200	3500	raster	50	bianco
OS-S5D-WW-RST-B-P3	35941	22W	2800	3000	raster	50	nero
OS-S5D-WW-RST-W-P3	35813	22W	3200	3000	raster	50	bianco
OS-S8D-NW-RST-B-P3	35989	22W	2800	4000	raster	80	nero
OS-S8D-NW-RST-W-P3	35861	22W	3200	4000	raster	80	bianco
OS-S8D-WN-RST-B-P3	36149	22W	2800	3500	raster	80	nero
OS-S8D-WN-RST-W-P3	36085	22W	3200	3500	raster	80	bianco
OS-S8D-WW-RST-B-P3	35973	22W	2800	3000	raster	80	nero
OS-S8D-WW-RST-W-P3	35845	22W	3200	3000	raster	80	bianco

- 5 anni di garanzia secondo le condizioni della dichiarazione di garanzia consultabile sul sito Internet
- Materiale del corpo: metallo
- Diffusore: plastica

OFIS RST LED P3

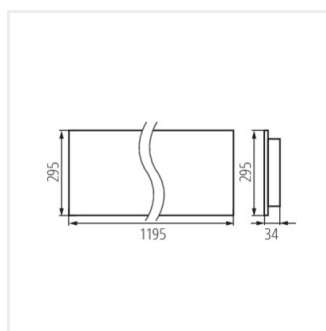
Plafoniera LED per ufficio ad incasso



OS RST B P3



OS RST W P3



OS RST P3

