

OFIS RST LED N3

Oprawa biurowa LED natynkowa



| | | | | | | |
|----------------|----------|------------|-----------|-----------------|--------|---------|
| 220-240 AC | 50 | ≥30000 | 50000 | ≤3x MacAdam | 80 | SMD |
| 1,5÷2,5 | 0,5m | IP 20 | 5÷25 | 5÷25 | ↑ | |
| 1,5÷2,5 | | | | | | |



OS-H5D-NW-RST-B-N3



| | [V] | [lm] | Tc [K] | TYPE | [°] | Color | |
|--------------------|--------------|------|--------|------|--------|-------|--------|
| OS-H5D-NW-RST-B-N3 | 35967 | 49W | 5600 | 4000 | raster | 50 | czarny |
| OS-H5D-NW-RST-W-N3 | 35839 | 49W | 6300 | 4000 | raster | 50 | biały |
| OS-H5D-WN-RST-B-N3 | 36143 | 49W | 5600 | 3500 | raster | 50 | czarny |
| OS-H5D-WN-RST-W-N3 | 36079 | 49W | 6300 | 3500 | raster | 50 | biały |
| OS-H5D-WW-RST-B-N3 | 35951 | 49W | 5600 | 3000 | raster | 50 | czarny |
| OS-H5D-WW-RST-W-N3 | 35823 | 49W | 6300 | 3000 | raster | 50 | biały |
| OS-H8D-NW-RST-B-N3 | 35999 | 49W | 5600 | 4000 | raster | 80 | czarny |
| OS-H8D-NW-RST-W-N3 | 35871 | 49W | 6300 | 4000 | raster | 80 | biały |
| OS-H8D-WN-RST-B-N3 | 36159 | 49W | 5600 | 3500 | raster | 80 | czarny |
| OS-H8D-WN-RST-W-N3 | 36095 | 49W | 6300 | 3500 | raster | 80 | biały |
| OS-H8D-WW-RST-B-N3 | 35983 | 49W | 5600 | 3000 | raster | 80 | czarny |
| OS-H8D-WW-RST-W-N3 | 35855 | 49W | 6300 | 3000 | raster | 80 | biały |
| OS-L5D-NW-RST-B-N3 | 35959 | 31W | 3800 | 4000 | raster | 50 | czarny |
| OS-L5D-NW-RST-W-N3 | 35831 | 31W | 4300 | 4000 | raster | 50 | biały |
| OS-L5D-WN-RST-B-N3 | 36135 | 31W | 3800 | 3500 | raster | 50 | czarny |
| OS-L5D-WN-RST-W-N3 | 36071 | 31W | 4300 | 3500 | raster | 50 | biały |

OFIS RST LED N3

Oprawa biurowa LED natynkowa



| OS-L5D-WW-RST-B-N3 | 35943 | 31W | 3800 | 3000 | raster | 50 | czarny | |
|--------------------|--------------|-----|------|------|--------|----|--------|--|
| OS-L5D-WW-RST-W-N3 | 35815 | 31W | 4300 | 3000 | raster | 50 | biały | |
| OS-L8D-NW-RST-B-N3 | 35991 | 31W | 3800 | 4000 | raster | 80 | czarny | |
| OS-L8D-NW-RST-W-N3 | 35863 | 31W | 4300 | 4000 | raster | 80 | biały | |
| OS-L8D-WN-RST-B-N3 | 36151 | 31W | 3800 | 3500 | raster | 80 | czarny | |
| OS-L8D-WN-RST-W-N3 | 36087 | 31W | 4300 | 3500 | raster | 80 | biały | |
| OS-L8D-WW-RST-B-N3 | 35975 | 31W | 3800 | 3000 | raster | 80 | czarny | |
| OS-L8D-WW-RST-W-N3 | 35847 | 31W | 4300 | 3000 | raster | 80 | biały | |
| OS-M5D-NW-RST-B-N3 | 35963 | 39W | 4800 | 4000 | raster | 50 | czarny | |
| OS-M5D-NW-RST-W-N3 | 35835 | 39W | 5400 | 4000 | raster | 50 | biały | |
| OS-M5D-WN-RST-B-N3 | 36139 | 39W | 4800 | 3500 | raster | 50 | czarny | |
| OS-M5D-WN-RST-W-N3 | 36075 | 39W | 5400 | 3500 | raster | 50 | biały | |
| OS-M5D-WW-RST-B-N3 | 35947 | 39W | 4800 | 3000 | raster | 50 | czarny | |
| OS-M5D-WW-RST-W-N3 | 35819 | 39W | 5400 | 3000 | raster | 50 | biały | |
| OS-M8D-NW-RST-B-N3 | 35995 | 39W | 4800 | 4000 | raster | 80 | czarny | |
| OS-M8D-NW-RST-W-N3 | 35867 | 39W | 5400 | 4000 | raster | 80 | biały | |
| OS-M8D-WN-RST-B-N3 | 36155 | 39W | 4800 | 3500 | raster | 80 | czarny | |
| OS-M8D-WN-RST-W-N3 | 36091 | 39W | 5400 | 3500 | raster | 80 | biały | |
| OS-M8D-WW-RST-B-N3 | 35979 | 39W | 4800 | 3000 | raster | 80 | czarny | |
| OS-M8D-WW-RST-W-N3 | 35851 | 39W | 5400 | 3000 | raster | 80 | biały | |
| OS-S5D-NW-RST-B-N3 | 35955 | 22W | 2800 | 4000 | raster | 50 | czarny | |
| OS-S5D-NW-RST-W-N3 | 35827 | 22W | 3200 | 4000 | raster | 50 | biały | |
| OS-S5D-WN-RST-B-N3 | 36131 | 22W | 2800 | 3500 | raster | 50 | czarny | |
| OS-S5D-WN-RST-W-N3 | 36067 | 22W | 3200 | 3500 | raster | 50 | biały | |
| OS-S5D-WW-RST-B-N3 | 35939 | 22W | 2800 | 3000 | raster | 50 | czarny | |
| OS-S5D-WW-RST-W-N3 | 35811 | 22W | 3200 | 3000 | raster | 50 | biały | |
| OS-S8D-NW-RST-B-N3 | 35987 | 22W | 2800 | 4000 | raster | 80 | czarny | |
| OS-S8D-NW-RST-W-N3 | 35859 | 22W | 3200 | 4000 | raster | 80 | biały | |
| OS-S8D-WN-RST-B-N3 | 36147 | 22W | 2800 | 3500 | raster | 80 | czarny | |
| OS-S8D-WN-RST-W-N3 | 36083 | 22W | 3200 | 3500 | raster | 80 | biały | |
| OS-S8D-WW-RST-B-N3 | 35971 | 22W | 2800 | 3000 | raster | 80 | czarny | |
| OS-S8D-WW-RST-W-N3 | 35843 | 22W | 3200 | 3000 | raster | 80 | biały | |

Seria opraw dla profesjonalistów z Fabryki Kanlux, która łączy funkcjonalność i estetykę. Dzięki bardzo dobrym parametrom świetlnym oprawy OFIS RST LED pozwalają na tworzenie energooszczędnych i nowoczesnych systemów oświetleniowych.

- 5 lat Gwarancji na warunkach oświadczenia gwarancyjnego, dostępnego na stronie internetowej
- Materiał obudowy: metal
- Materiał klosza: tworzywo sztuczne

OFIS RST LED N3

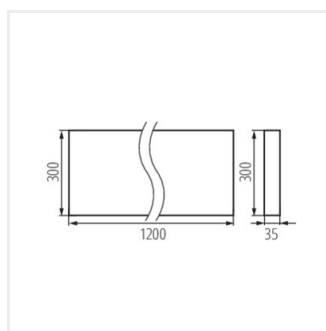
Oprawa biurowa LED natynkowa



OS RST B N3



OS RST W N3



OS RST N3

