

KRD10-2

Wyłącznik różnicowo-prądowy, 2P



KRD10-2/25/30-B

| | | | | | | |
|---------------|-----------------------------|----------------|----------|-----|----|-------|
| [Hz] 50 | [mm ²] do 35 | [°C] -25÷40 | IP 20 | 2P | 2 | TH 35 |
| Ui [V] 400 | CE | EAC | VDE | CCC | PK | ↓ |

[V] In [A] I_{an} [mA] Typ zabezpieczenia różnicowoprądowego []

| | [V] | In [A] | I _{an} [mA] | Typ zabezpieczenia różnicowoprądowego | [] | |
|------------------|-------|--------|----------------------|---------------------------------------|-----|---|
| KRD10-2/25/30-B | 38530 | 230 AC | 25 | 30 | B | 3 |
| KRD10-2/40/30-B | 38531 | 230 AC | 40 | 30 | B | 3 |
| KRD10-2/63/30-B | 38532 | 230 AC | 63 | 30 | B | 3 |
| KRD10-2/25/100-B | 38533 | 230 AC | 25 | 100 | B | 3 |
| KRD10-2/40/100-B | 38534 | 230 AC | 40 | 100 | B | 3 |
| KRD10-2/63/100-B | 38535 | 230 AC | 63 | 100 | B | 3 |
| KRD10-2/25/300-B | 38536 | 230 AC | 25 | 300 | B | 3 |
| KRD10-2/40/300-B | 38537 | 230 AC | 40 | 300 | B | 3 |
| KRD10-2/63/300-B | 38538 | 230 AC | 63 | 300 | B | 3 |

KRD10-2

Wyłącznik różnicowo-prądowy, 2P



KRD10-2/25/30-B



KRD10-2/40/30-B



KRD10-2/63/30-B



KRD10-2/25/100-B



KRD10-2/40/100-B



KRD10-2/63/100-B



KRD10-2/25/300-B



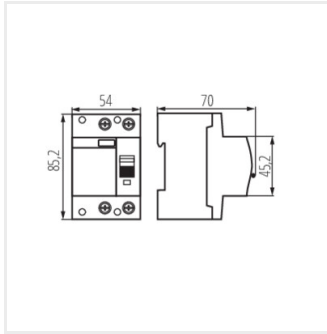
KRD10-2/40/300-B



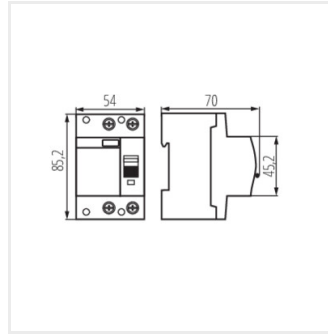
KRD10-2/63/300-B

KRD10-2

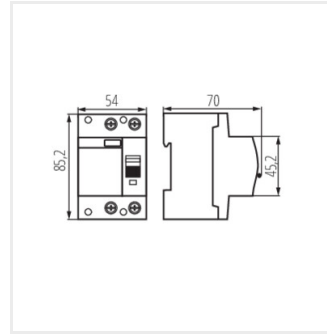
Wyłącznik różnicowo-prądowy, 2P



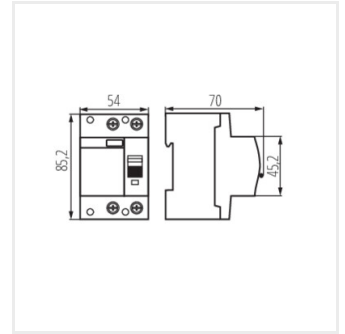
KRD10-2/25/30-B



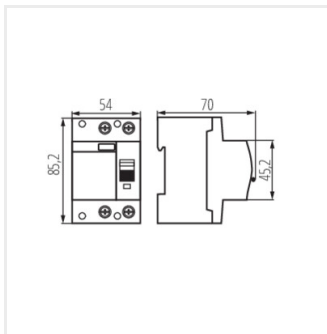
KRD10-2/40/30-B



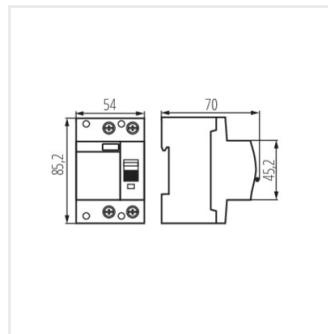
KRD10-2/63/30-B



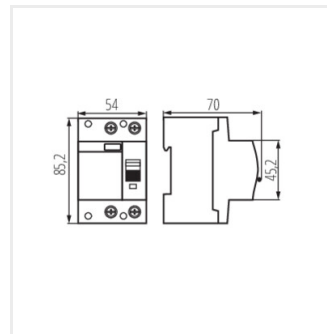
KRD10-2/25/100-B



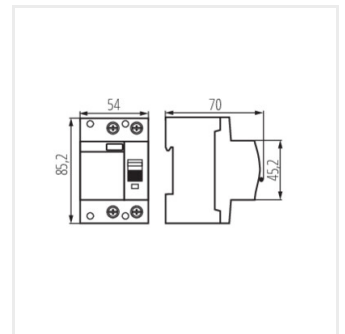
KRD10-2/40/100-B



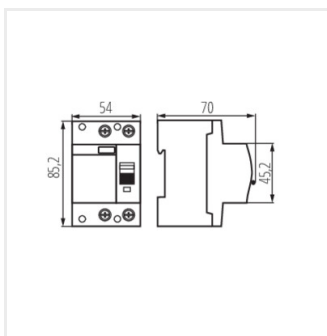
KRD10-2/63/100-B



KRD10-2/25/300-B



KRD10-2/40/300-B



KRD10-2/63/300-B