

KRD6-4

Înterupător diferențial, 4P



[Hz] 50	[mm ²] do 35	[°C] -25÷40	IP 20	 4P	 4	 TH 35
Ui [V] 400	CE	EAC	VDE	UK CA		



KRD6-4/25/30

	[V]	In [A]	I _{Δn} [mA]	Tip de protecție împotriva curentului rezidual	
KRD6-4/25/30	23183 400 AC	25	30	AC	4
KRD6-4/40/30	23184 400 AC	40	30	AC	4
KRD6-4/63/30	23185 400 AC	63	30	AC	4
KRD6-4/25/30-A	23191 400 AC	25	30	A	4
KRD6-4/40/30-A	23192 400 AC	40	30	A	4
KRD6-4/63/30-A	23193 400 AC	63	30	A	4
KRD6-4/100/30	23197 400 AC	100	30	AC	4
KRD6-4/100/30-A	23198 400 AC	100	30	A	4
KRD6-4/63/300	23201 400 AC	63	300	AC	4



KRD6-4/25/30



KRD6-4/40/30



KRD6-4/63/30



KRD6-4/25/30-A

KRD6-4

Înterupător diferențial, 4P



KRD6-4/40/30-A



KRD6-4/63/30-A



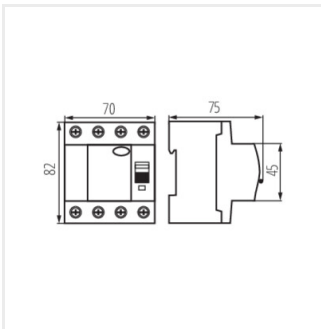
KRD6-4/100/30



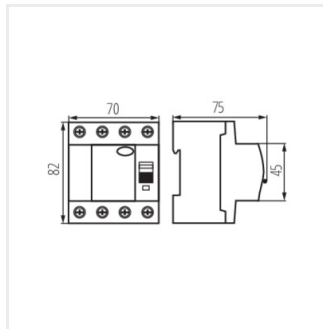
KRD6-4/100/30-A



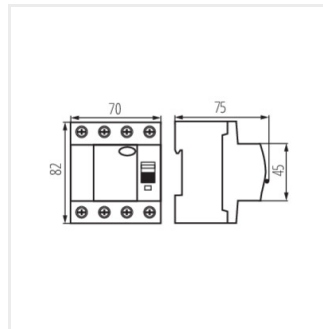
KRD6-4/63/300



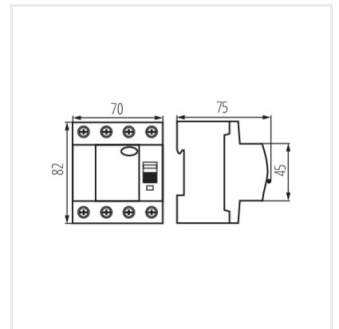
KRD6-4/25/30



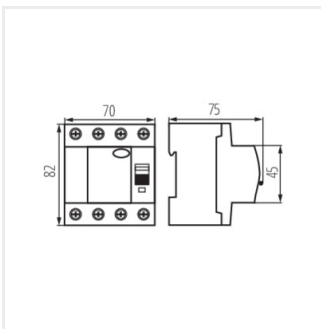
KRD6-4/40/30



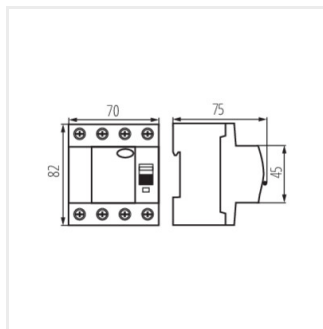
KRD6-4/63/30



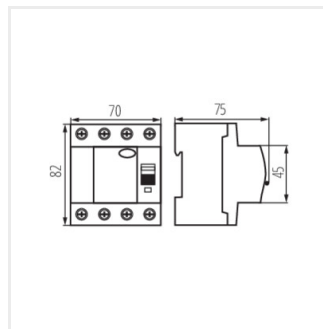
KRD6-4/25/30-A



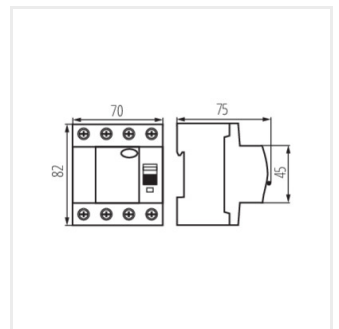
KRD6-4/40/30-A



KRD6-4/63/30-A



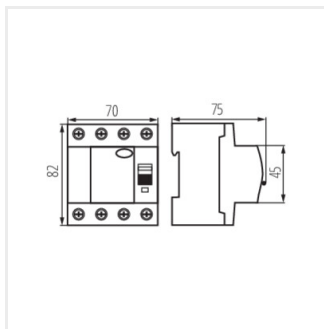
KRD6-4/100/30



KRD6-4/100/30-A

KRD6-4

Înterupător diferențial, 4P



KRD6-4/63/300