

## FUTURIO LED DALI 28W 1180mm

Corp de iluminat LED rezistent la praf



[V] 220-240 AC	[Hz] 50	≥30000	50000	ellipse ≤3x MacAdam	Ra 80	SMD
DALI		IP 65			IK 08	
[mm] 0,5+2,5	0,5m					



### FTD1200 28W-840-OPL

	[V]	Tc [K]	TYPE	[°]	[lm]	W	[mm]	[°C]
FTD1200 28W-840-OPL	<b>28854</b>	28	4000	opalescent	X130/Y110	4100	146	1180 -25÷40
FTD1200 28W-840-RYF	<b>28855</b>	28	4000	grooved	X115/Y105	4500	161	1180 -25÷40
FTD1200 28W-840-INT	<b>28856</b>	28	4000	prismatic, fascicul îngust	X70/Y95	4300	154	1180 -25÷40
FTD1200 28W-840-ASY	<b>28857</b>	28	4000	prismatic, asimetric	X75/Y95	4300	154	1180 -25÷40

- Materialul carcasei: PC
- Materialul abajurului: PC



FTD1200 28W-840-OPL



FTD1200 28W-840-RYF



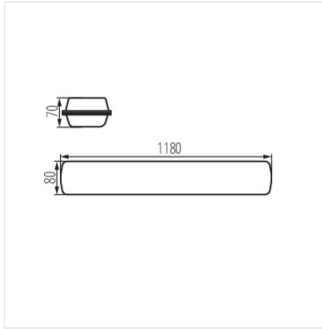
FTD1200 28W-840-INT



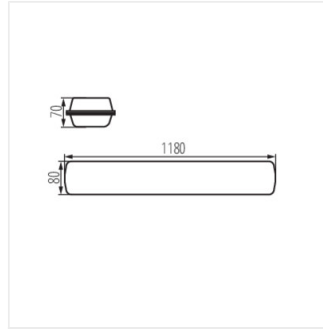
FTD1200 28W-840-ASY

## FUTURIO LED DALI 28W 1180mm

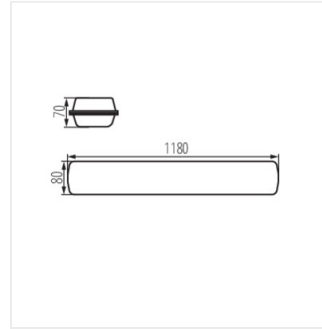
Corp de iluminat LED rezistent la praf



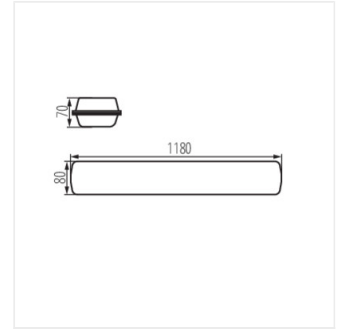
FTD1200 28W-840-OPL



FTD1200 28W-840-RYF



FTD1200 28W-840-INT



FTD1200 28W-840-ASY