

# BAREV 2X36W

Panou LED incastrat



[V] 220-240 AC	[Hz] 50	lm/W 100	$\geq 10000$	(h) 20000	ellipse $\leq 6x$ MacAdam	Ra 80
SMD			IP 20		[°C] 5÷25	
	[mm] 0,75	0,5m	2			

## BAREV 2X36W3600 60NW



		[°]	[lm]	[m]	Tc [K]	
BAREV 2X36W3600 60NW	<b>31128</b>	36	alb	3600	115	4000
BAREV 2X36W3600 120NW	<b>31129</b>	36	alb	3600	115	4000

- Materialul carcasei: oțel
- Materialul abajurului: material din plastic



BAREV 2X36W3600 60NW

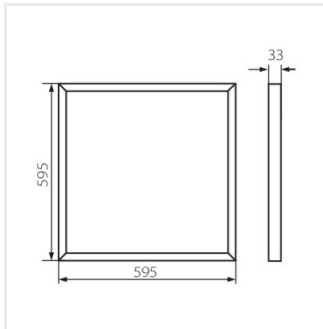


BAREV 2X36W3600 120NW

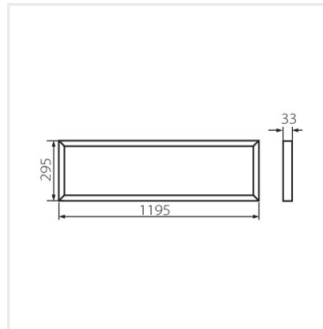
# BAREV 2X36W

---

Panou LED incastrat



BAREV 2X36W3600 60NW



BAREV 2X36W3600 120NW