

# BAREV ECO

Panou LED incastrat



$[V]$ 220-240 AC	$[Hz]$ 50	$\frac{lm}{W}$ 120	 $\geq 10000$	 25000	 ellipse $\leq 6x$ MacAdam	 Ra 80
 SMD			<b>IP</b> 20		 $[^{\circ}C]$ 5÷25	
	$[mm^2]$ 0,75	$\phi$ ---m 0,5m	<b>CE</b>	<b>EAC</b>	<b>UK</b> <b>CA</b>	



BAREV ECO 36W 6060NW



BAREV ECO 36W 6060NW	<b>31169</b>	36	alb	4320	110	4000
----------------------	--------------	----	-----	------	-----	------

- Materialul carcasei: oțel
- Materialul abajurului: material din plastic



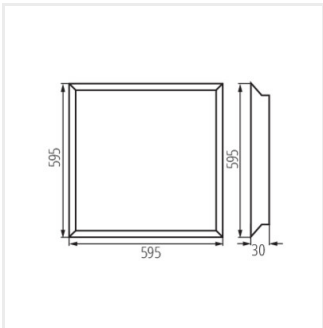
## BAREV ECO

---

Panou LED incastrat



BAREV ECO 36W 6060NW



BAREV ECO 36W 6060NW