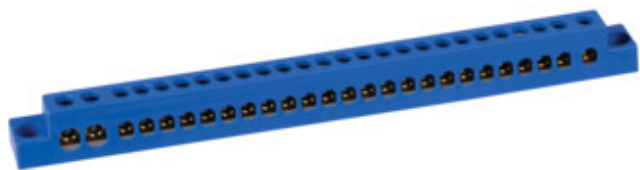


KP-TB

Bloc de distribuție

$[V]$ 230 AC	$[Hz]$ 50	$In[A]$ 63	IP 00	$[mm^2]$ 1÷16
-----------------	--------------	---------------	-----------------	------------------



KP-TB-63-26-BL(S)

KP-TB-63-26-BL(S)	32632
KP-TB-63-26-G(S)	32633
KP-TB-63-6-BL(S)	32634
KP-TB-63-6-G(S)	32635



KP-TB-63-26-BL(S)



KP-TB-63-26-G(S)



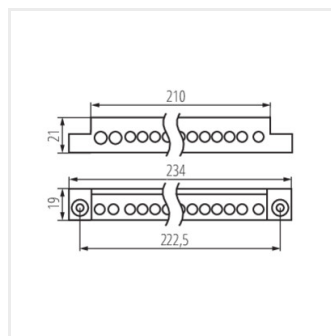
KP-TB-63-6-BL(S)



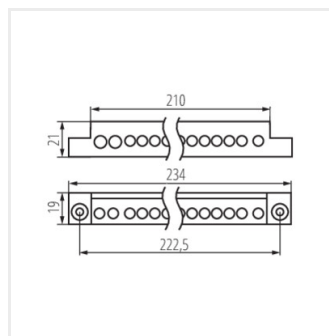
KP-TB-63-6-G(S)

KP-TB

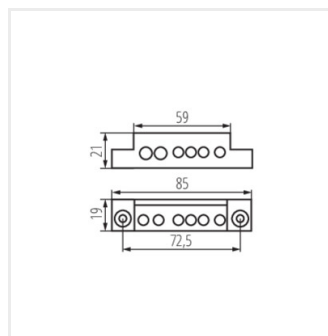
Bloc de distribuție



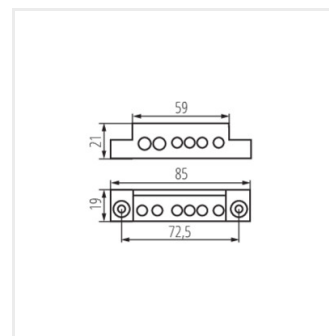
KP-TB-63-26-BL(S)



KP-TB-63-26-G(S)



KP-TB-63-6-BL(S)



KP-TB-63-6-G(S)