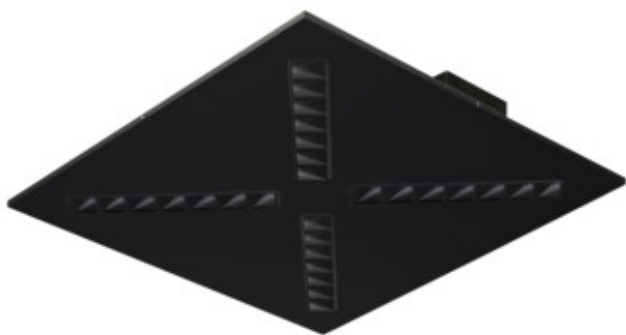


OFIS S

Oprawa LED podtynkowa



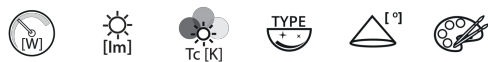
 [V] 220-240 AC	 [Hz] 50	 ≥ 30000	 [lm] 50000	 + ellipse $\leq 3 \times$ MacAdam	 Ra 80	 SMD
		 IP 20		 [°C] 5÷25		
 [mm ²] 1,5÷2,5	 0,5m					



OS-H8D-NW-RX-B-P1

OFIS S

Oprawa LED podtynkowa



OS-H8D-NW-RX-B-P1	37203	47	5600	4000	raster	80	negru
OS-H8D-NW-RX-W-P1	37191	47	6250	4000	raster	80	alb
OS-H8D-WN-RX-B-P1	37199	47	5450	3500	raster	80	negru
OS-H8D-WN-RX-W-P1	37187	47	6100	3500	raster	80	alb
OS-H8D-WW-RX-B-P1	37195	47	5300	3000	raster	80	negru
OS-H8D-WW-RX-W-P1	37183	47	5950	3000	raster	80	alb
OS-L8D-NW-RX-B-P1	37201	31	3900	4000	raster	80	negru
OS-L8D-NW-RX-W-P1	37189	31	4400	4000	raster	80	alb
OS-L8D-WN-RX-B-P1	37197	31	3850	3500	raster	80	negru
OS-L8D-WN-RX-W-P1	37185	31	4300	3500	raster	80	alb
OS-L8D-WW-RX-B-P1	37193	31	3750	3000	raster	80	negru
OS-L8D-WW-RX-W-P1	37181	31	4200	3000	raster	80	alb
OS-M8D-NW-RX-B-P1	37202	40	4900	4000	raster	80	negru
OS-M8D-NW-RX-W-P1	37190	40	5500	4000	raster	80	alb
OS-M8D-WN-RX-B-P1	37198	40	4800	3500	raster	80	negru
OS-M8D-WN-RX-W-P1	37186	40	5400	3500	raster	80	alb
OS-M8D-WW-RX-B-P1	37194	40	4650	3000	raster	80	negru
OS-M8D-WW-RX-W-P1	37182	40	5250	3000	raster	80	alb
OS-S8D-NW-RX-B-P1	37200	22	2850	4000	raster	80	negru
OS-S8D-NW-RX-W-P1	37188	22	3250	4000	raster	80	alb
OS-S8D-WN-RX-B-P1	37196	22	2800	3500	raster	80	negru
OS-S8D-WN-RX-W-P1	37184	22	3150	3500	raster	80	alb
OS-S8D-WW-RX-B-P1	37192	22	2750	3000	raster	80	negru
OS-S8D-WW-RX-W-P1	37180	22	3050	3000	raster	80	alb

- Materialul carcasei: metal
- Materialul abajurului: material din plastic



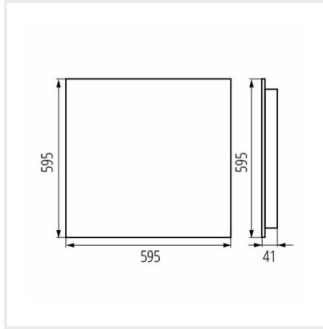
OS RX B P1



OS RX W P1

OFIS S

Oprawa LED podtynkowa



OS RX P1

