



# Kanlux FL STADER



|                          |                   |                 |            |                  |              |                  |
|--------------------------|-------------------|-----------------|------------|------------------|--------------|------------------|
| <b>[V]</b><br>220-240 AC | <b>[Hz]</b><br>50 | <br>≥30000      | <br>100000 | <br>≤ 6x MacAdam | <br>Ra<br>70 | <br>SMD          |
|                          |                   | <b>IP</b><br>66 |            | <br>-25÷40       | <br>IK<br>10 |                  |
|                          | <br>1             | <br>1m          |            | <b>CE</b>        | <b>EAC</b>   | <b>UK<br/>CA</b> |
|                          |                   |                 |            |                  |              |                  |

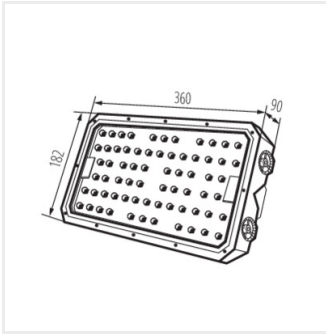


FL STADER 200W 60D NW

|                       |              |     |       |       |      |    |     |   |
|-----------------------|--------------|-----|-------|-------|------|----|-----|---|
|                       |              |     |       |       |      |    |     |   |
| FL STADER 200W 60D NW | <b>38600</b> | 200 | 30000 | 33500 | 4000 | 60 | gri | C |



FL STADER 200W 60D NW



FL STADER 200W 60D NW

## Accesorii

**38601** FLS BRACKET Uchwyt montażowy FLS BRACKET (38601) do oprawy FL STADER 200W (38600)



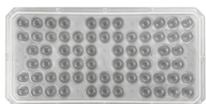
**38602** FLS CON ELE Łącznik FLS CON ELE (38602) do oprawy FL STADER 200W (38600)



**38603** FLS LENS 20D Soczewki FLS LENS 20D (38603) z kątem 20 stopni do oprawy FL STADER 200W (38600)



**38604** FLS LENS 40D Soczewki FLS LENS 40D (38604) z kątem 40 stopni do oprawy FL STADER 200W (38600)



**38605** FLS LENS 90D Soczewki FLS LENS 90D (38605) z kątem 90 stopni do oprawy FL STADER 200W (38600)



Date of issue: 20.11.2024, 15:45

Ne rezervăm dreptul de a face modificări tehnice. Datele conținute în acest material nu sunt obligatorii din punct de vedere juridic.

Fotometrie: rezultatele obținute în timpul testării unui exemplar concret.