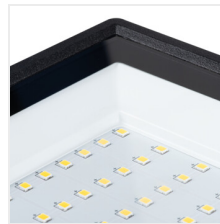


# GRUN NV

Прожектор с диодами LED



[V] 220-240 AC	[Hz] 50	$\Phi_{use}$ 120°	[°] 110	$\geq 30000$	[h] 25000	ellipse $\leq 6x$ Nachdam
Ra 70	SMD	$-15 \div 35$				
[°] 130	[m] 0,15	[mm²] 1	0,5m			



GRUN NV LED-10-B

	[W]	[lm]	[lm] $\Phi_{use}$	Tc [K]	IP		SENSOR	
GRUN NV LED-10-B	<b>31390</b>	10	800	750	4000	65	черный	F
GRUN NV LED-20-B	<b>31391</b>	20	1700	1620	4000	65	черный	F
GRUN NV LED-30-B	<b>31392</b>	30	2650	2500	4000	65	черный	F
GRUN NV LED-50-B	<b>31393</b>	50	4500	4260	4000	65	черный	F
GRUN NV LED-100-B	<b>31394</b>	100	9500	8670	4000	65	черный	F
GRUN NV LED-150-B	<b>31395</b>	150	14250	13090	4000	65	черный	F
GRUN NV LED-200-B	<b>31396</b>	200	19000	17500	4000	65	черный	F
GRUN NV LED-10-B-SE	<b>31397</b>	10	800	750	4000	44	черный	PIR F
GRUN NV LED-20-B-SE	<b>31398</b>	20	1700	1620	4000	44	черный	PIR F
GRUN NV LED-30-B-SE	<b>31399</b>	30	2650	2500	4000	44	черный	PIR F
GRUN NV LED-50-B-SE	<b>31400</b>	50	4500	4260	4000	44	черный	PIR F

- Материал корпуса: сплав алюминия
- Материал плафона: закаленное стекло

# GRUN NV

## Прожектор с диодами LED



GRUN NV LED-10-B



GRUN NV LED-20-B



GRUN NV LED-30-B



GRUN NV LED-50-B



GRUN NV LED-100-B



GRUN NV LED-150-B



GRUN NV LED-200-B



GRUN NV LED-10-B-SE



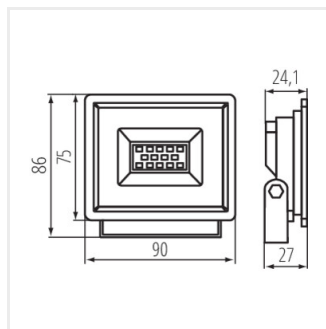
GRUN NV LED-20-B-SE



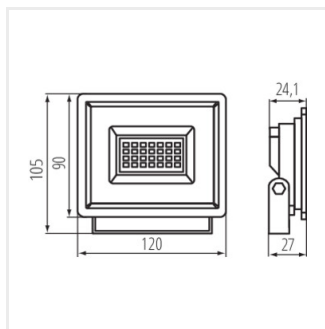
GRUN NV LED-30-B-SE



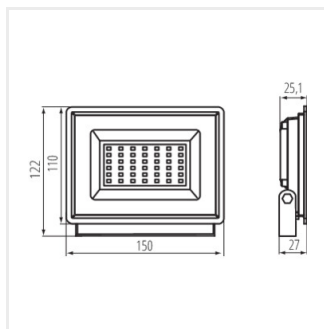
GRUN NV LED-50-B-SE



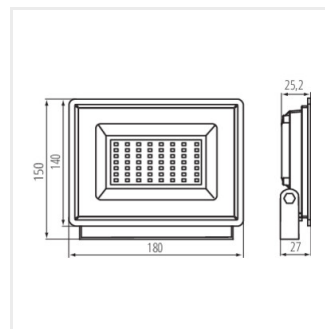
GRUN NV LED-10-B



GRUN NV LED-20-B



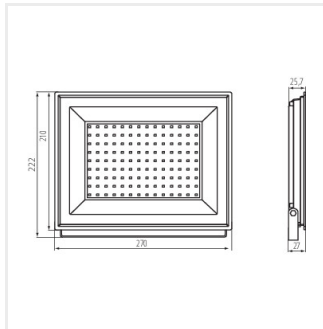
GRUN NV LED-30-B



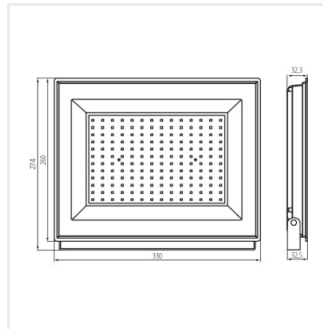
GRUN NV LED-50-B

# GRUN NV

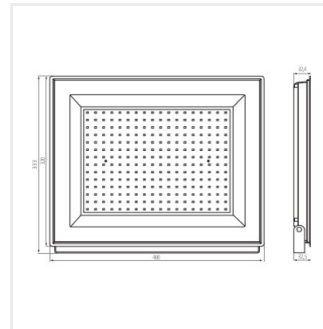
## Пржектор с диодами LED



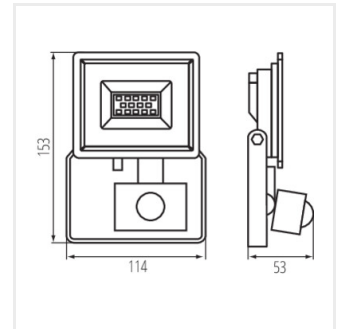
GRUN NV LED-100-B



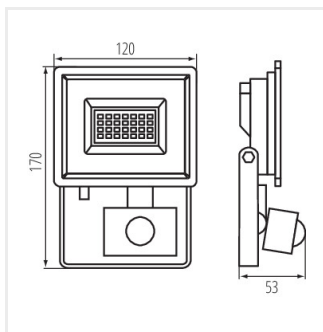
GRUN NV LED-150-B



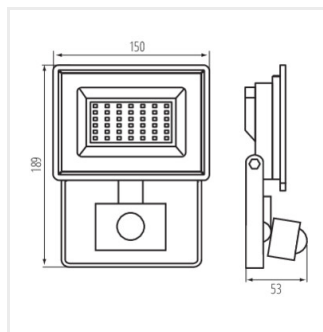
GRUN NV LED-200-B



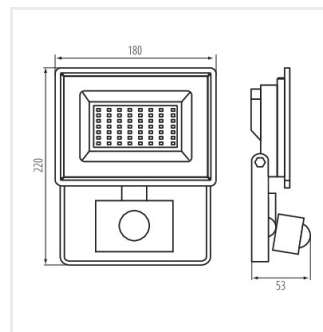
GRUN NV LED-10-B-SE



GRUN NV LED-20-B-SE



GRUN NV LED-30-B-SE



GRUN NV LED-50-B-SE