

OFIS TW RST LED DALI N3

Kancelárske prisadené LED svietidlo



[W] 220-240 AC	[Hz] 50	≥30000	[h] 50000	ellipse ≤3x MacAdam	Ra 80	SMD
DALI		IP 20		[°C] 5÷25		
[mm²] 0,5÷2,5	0,5m	CE	EAC	UK CA		



OSD TW RST B N3



	[W]	[lm]	Tc [K]	TYPE	[°]		
OSD-5D-TW-RST-B-N3	36203	31-43	2200-2350	2700-6500	raster	50	čierna
OSD-5D-TW-RST-W-N3	36195	31-43	2200-2350	2700-6500	raster	50	biela
OSD-8D-TW-RST-B-N3	36207	31-43	2200-2350	2700-6500	raster	80	čierna
OSD-8D-TW-RST-W-N3	36199	31-43	2200-2350	2700-6500	raster	80	biela

- Materiál korpusu: kov
- Materiál difúzora: plast

OFIS TW RST LED DALI N3

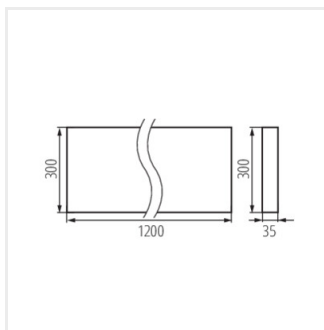
Kancelárske prisadené LED svietidlo



OSD TW RST B N3



OSD TW RST W N3



OSD TW RST N3

