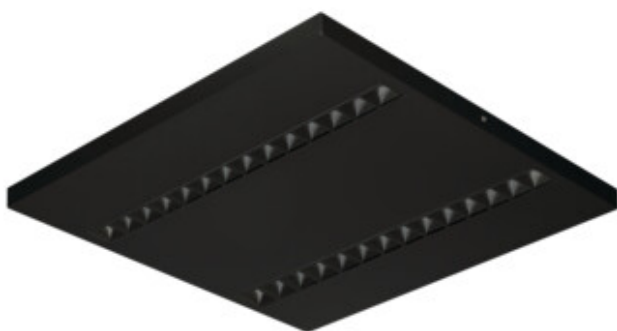


OFIS TW RST LED DALI N1

Kancelárske prisadené LED svietidlo



[V] 220-240 AC	[Hz] 50	≥ 30000	[lm] 50000	Ellipse $\leq 3x$ MacAdam	Ra 80	SMD
DALI		IP 20		[°C] 5÷25		
[mm] 0,5÷2,5	0,5m	CE	EAC	UK CA		



OSD TW RST B N1



	[W]	[lm]	Tc [K]	TYPE	[°]	
OSD-5D-TW-RST-B-N1	36202	31-43	2800-2350	2700-6500	raster	50 čierna
OSD-5D-TW-RST-W-N1	36194	31-43	2800-2350	2700-6500	raster	50 biela
OSD-8D-TW-RST-B-N1	36206	31-43	2200-2350	2700-6500	raster	80 čierna
OSD-8D-TW-RST-W-N1	36198	31-43	2200-2350	2700-6500	raster	80 biela

- Materiál korpusu: kov
- Materiál difúzora: plast

OFIS TW RST LED DALI N1

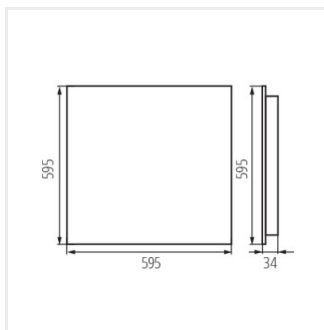
Kancelárske prisadené LED svietidlo



OSD TW RST B N1



OSD TW RST W N1



OSD TW RST N1

