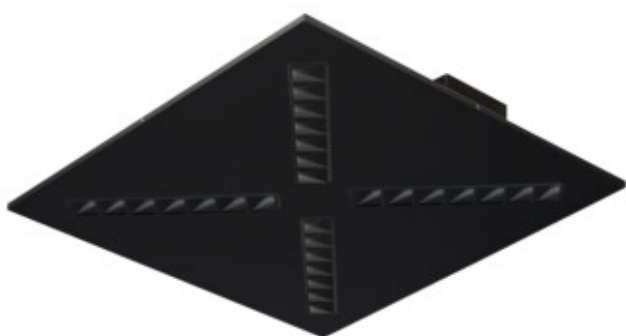


## OFIS S

Vstavané LED svetidlo

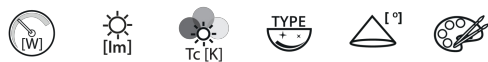


 220-240 AC	 50	 ≥30000	 50000	 Ra 80	
		 IP 20		 5÷25	
 1,5÷2,5	 0,5m				



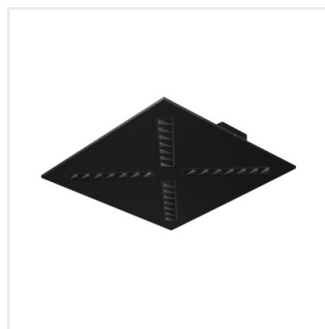
OS-H8D-NW-RX-B-P1

### Vstavané LED svietidlo

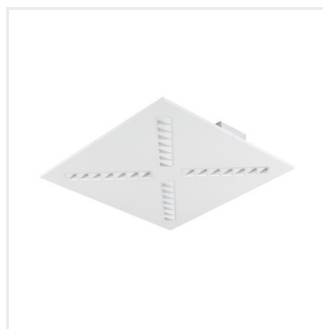


Model	Power [W]	Beam angle [lm]	Color temperature Tc [K]	Type	Beam spread [°]	Color rendering index
OS-H8D-NW-RX-B-P1	37203	47	5600	4000 raster	80	čierna
OS-H8D-NW-RX-W-P1	37191	47	6250	4000 raster	80	biela
OS-H8D-WN-RX-B-P1	37199	47	5450	3500 raster	80	čierna
OS-H8D-WN-RX-W-P1	37187	47	6100	3500 raster	80	biela
OS-H8D-WW-RX-B-P1	37195	47	5300	3000 raster	80	čierna
OS-H8D-WW-RX-W-P1	37183	47	5950	3000 raster	80	biela
OS-L8D-NW-RX-B-P1	37201	31	3900	4000 raster	80	čierna
OS-L8D-NW-RX-W-P1	37189	31	4400	4000 raster	80	biela
OS-L8D-WN-RX-B-P1	37197	31	3850	3500 raster	80	čierna
OS-L8D-WN-RX-W-P1	37185	31	4300	3500 raster	80	biela
OS-L8D-WW-RX-B-P1	37193	31	3750	3000 raster	80	čierna
OS-L8D-WW-RX-W-P1	37181	31	4200	3000 raster	80	biela
OS-M8D-NW-RX-B-P1	37202	40	4900	4000 raster	80	čierna
OS-M8D-NW-RX-W-P1	37190	40	5500	4000 raster	80	biela
OS-M8D-WN-RX-B-P1	37198	40	4800	3500 raster	80	čierna
OS-M8D-WN-RX-W-P1	37186	40	5400	3500 raster	80	biela
OS-M8D-WW-RX-B-P1	37194	40	4650	3000 raster	80	čierna
OS-M8D-WW-RX-W-P1	37182	40	5250	3000 raster	80	biela
OS-S8D-NW-RX-B-P1	37200	22	2850	4000 raster	80	čierna
OS-S8D-NW-RX-W-P1	37188	22	3250	4000 raster	80	biela
OS-S8D-WN-RX-B-P1	37196	22	2800	3500 raster	80	čierna
OS-S8D-WN-RX-W-P1	37184	22	3150	3500 raster	80	biela
OS-S8D-WW-RX-B-P1	37192	22	2750	3000 raster	80	čierna
OS-S8D-WW-RX-W-P1	37180	22	3050	3000 raster	80	biela

- Materiál korpusu: kov
- Materiál difúzora: plast



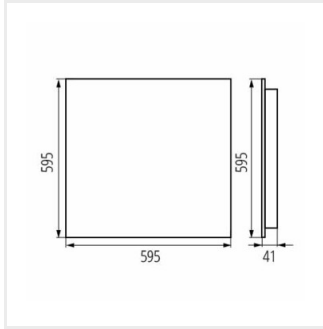
OS RX B P1



OS RX W P1

## OFIS S

Vstavané LED svietidlo



OS RX P1

