

## OFIS S

Vstavané LED svetidlo



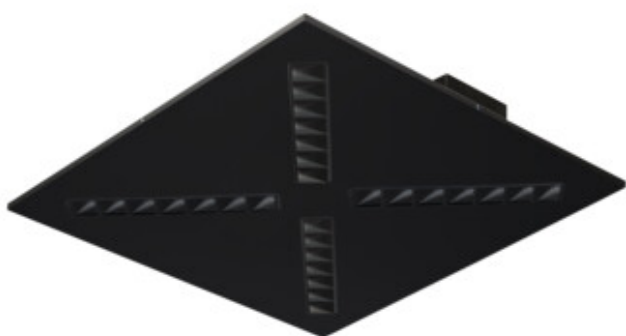
low  
**UGR**

**HIGH**  
efficacy



**DALI**  
system

 [V] 220-240 AC	 [Hz] 50	 ≥30000	 [h] 50000	 + ellipse ≤3x MacAdam	 Ra 80	 SMD
 DALI	 ⊥	 IP 20		 °C 5÷25		
 [mm²] 1,5÷2,5	 0,5m					



OSD RX B P1

## OFIS S

### Vstavané LED svietidlo

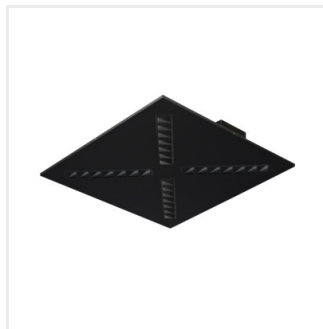


OSD-H8D-NW-RX-B-P1	<b>37227</b>	47	5600	4000	raster	80	čierna
OSD-H8D-NW-RX-W-P1	<b>37215</b>	47	6250	4000	raster	80	biela
OSD-H8D-WN-RX-B-P1	<b>37223</b>	47	5450	3500	raster	80	čierna
OSD-H8D-WN-RX-W-P1	<b>37211</b>	47	6100	3500	raster	80	biela
OSD-H8D-WW-RX-B-P1	<b>37219</b>	47	5300	3000	raster	80	čierna
OSD-H8D-WW-RX-W-P1	<b>37207</b>	47	5950	3000	raster	80	biela
OSD-L8D-NW-RX-B-P1	<b>37225</b>	31	3900	4000	raster	80	čierna
OSD-L8D-NW-RX-W-P1	<b>37213</b>	31	4400	4000	raster	80	biela
OSD-L8D-WN-RX-B-P1	<b>37221</b>	31	3850	3500	raster	80	čierna
OSD-L8D-WN-RX-W-P1	<b>37209</b>	31	4300	3500	raster	80	biela
OSD-L8D-WW-RX-B-P1	<b>37217</b>	31	3750	3000	raster	80	čierna
OSD-L8D-WW-RX-W-P1	<b>37205</b>	31	4200	3000	raster	80	biela
OSD-M8D-NW-RX-B-P1	<b>37226</b>	40	4900	4000	raster	80	čierna
OSD-M8D-NW-RX-W-P1	<b>37214</b>	40	5500	4000	raster	80	biela
OSD-M8D-WN-RX-B-P1	<b>37222</b>	40	4800	3500	raster	80	čierna
OSD-M8D-WN-RX-W-P1	<b>37210</b>	40	5400	3500	raster	80	biela
OSD-M8D-WW-RX-B-P1	<b>37218</b>	40	4650	3000	raster	80	čierna
OSD-M8D-WW-RX-W-P1	<b>37206</b>	40	5250	3000	raster	80	biela
OSD-S8D-NW-RX-B-P1	<b>37224</b>	22	2850	4000	raster	80	čierna
OSD-S8D-NW-RX-W-P1	<b>37212</b>	22	3250	4000	raster	80	biela
OSD-S8D-WN-RX-B-P1	<b>37220</b>	22	2800	3500	raster	80	čierna
OSD-S8D-WN-RX-W-P1	<b>37208</b>	22	3150	3500	raster	80	biela
OSD-S8D-WW-RX-B-P1	<b>37216</b>	22	2750	3000	raster	80	čierna
OSD-S8D-WW-RX-W-P1	<b>37204</b>	22	3050	3000	raster	80	biela

- Materiál korpusu: kov
- Materiál difúzora: plast



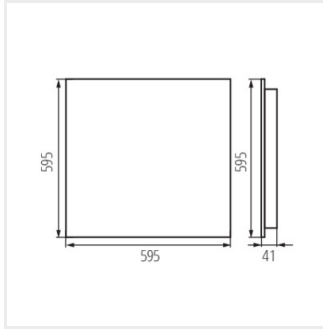
OSD RX W P2



OSD RX B P1

## OFIS S

Vstavané LED svietidlo



OSD RX P1

