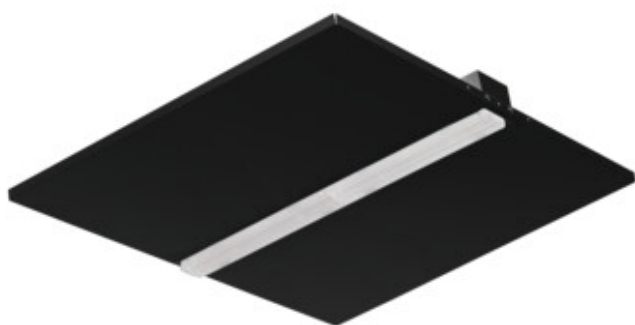


KIENO DALI LED P1

Kancelárske vstavané LED svetidlo



[V] 220-240 AC	[Hz] 50	 ≥30000	 50000	 ellipso ≤ 6x MacAdam	 Ra 80	 SMD
 DALI	 ⊥	IP 20		 5÷25		
 0,5÷2,5	 0,5m	CE	UK CA			



KND-L6D-NW-B-P1



	[W]	[lm]	Tc [K]	TYPE	[°]		
KND-L6D-NW-B-P1	37483	26	4100	4000	soczewka	60	čierna
KND-L6D-NW-W-P1	37471	26	4100	4000	soczewka	60	biela
KND-L6D-WW-B-P1	37477	26	3850	3000	soczewka	60	čierna
KND-L6D-WW-W-P1	37465	26	3850	3000	soczewka	60	biela
KND-L9D-NW-B-P1	37486	26	4050	4000	soczewka	90	čierna
KND-L9D-NW-W-P1	37474	26	4050	4000	soczewka	90	biela
KND-L9D-WW-B-P1	37480	26	3800	3000	soczewka	90	čierna
KND-L9D-WW-W-P1	37468	26	3800	3000	soczewka	90	biela

- Materiál korpusu: kov
- Materiál difúzora: plast

KIENO DALI LED P1

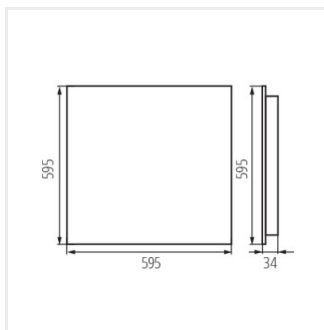
Kancelárske vstavané LED svietidlo



KN-B-P1



KN-W-P1



KN-P1

