

KIENO LED P3

Kancelárske vstavané LED svetidlo



[V] 220-240 AC	[Hz] 50	≥ 30000	[h] 50000	ellipse $\leq 6^\circ$ MacAdam	Ra 80	SMD
		IP 20		[°C] 5÷25		
[mm²] 1,5÷2,5	[m] 0,5m		UK CA			



KN-M6D-NW-B-P3

	[W]	[lm]	T _c [K]	TYPE	[°]		
KN-M6D-NW-B-P3	37508	35	6000	4000	soczewka	60	čierna
KN-M6D-NW-W-P3	37496	35	6000	4000	soczewka	60	biela
KN-M6D-WW-B-P3	37502	35	5650	3000	soczewka	60	čierna
KN-M6D-WW-W-P3	37490	35	5650	3000	soczewka	60	biela
KN-M9D-NW-B-P3	37511	35	5850	4000	soczewka	90	čierna
KN-M9D-NW-W-P3	37499	35	5850	4000	soczewka	90	biela
KN-M9D-WW-B-P3	37505	35	5500	3000	soczewka	90	čierna
KN-M9D-WW-W-P3	37493	35	5500	3000	soczewka	90	biela

- Materiál korpusu: kov
- Materiál difúzora: plast

KIENO LED P3

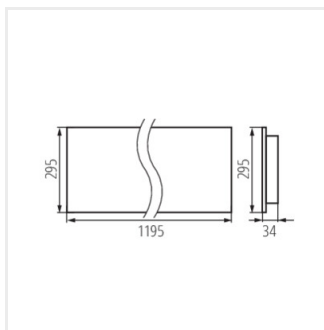
Kancelárske vstavané LED svietidlo



KN-B-P3



KN-W-P3



KN-P3

