

KIENO DALI LED P3

Kancelárske vstavané LED svietidlo



[V] 220-240 AC	[Hz] 50	[h] ≥30000	[h] 50000	ellipse ≤ 6x MacAdam	Ra 80	SMD
DALI		IP 20		[°C] 5÷25		
[mm²] 0,5÷2,5	[m] 0,5m	CE	UK CA			



KND-L6D-NW-B-P3

	[W]	[lm]	Tc [K]	TYPE	[°]		
KND-L6D-NW-B-P3	37531	26	4400	4000	soczewka	60	čierna
KND-L6D-NW-W-P3	37519	26	4400	4000	soczewka	60	biela
KND-L6D-WW-B-P3	37525	26	4150	3000	soczewka	60	čierna
KND-L6D-WW-W-P3	37513	26	4150	3000	soczewka	60	biela
KND-L9D-NW-B-P3	37534	26	4050	4000	soczewka	90	čierna
KND-L9D-NW-W-P3	37522	25	4300	4000	soczewka	90	biela
KND-L9D-WW-B-P3	37528	26	4050	3000	soczewka	90	čierna
KND-L9D-WW-W-P3	37516	26	4050	3000	soczewka	90	biela

- Materiál korpusu: kov
- Materiál difúzora: plast

KIENO DALI LED P3

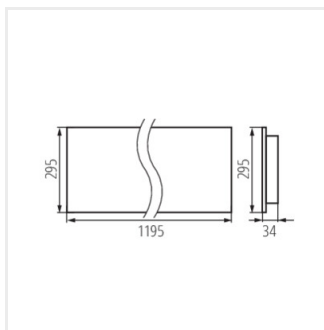
Kancelárske vstavané LED svietidlo



KND-B-P3



KND-W-P3



KND-P3

