

KIENO DALI LED P3

Kancelárske vstavané LED svetidlo



[V] 220-240 AC	[Hz] 50	[h] ≥30000	[h] 50000	ellipse ≤ 6x MacAdam	Ra 80	SMD
DALI		IP 20		[°C] 5÷25		
[mm²] 0,5÷2,5	[m] 0,5m	CE	UK CA			



KND-M6D-NW-B-P3



	[W]	[lm]	Tc [K]	TYPE	[°]		
KND-M6D-NW-B-P3	37532	36	6000	4000	soczewka	60	čierna
KND-M6D-NW-W-P3	37520	36	6000	4000	soczewka	60	biela
KND-M6D-WW-B-P3	37526	36	5650	3000	soczewka	60	čierna
KND-M6D-WW-W-P3	37514	36	5650	3000	soczewka	60	biela
KND-M9D-NW-B-P3	37535	36	5500	4000	soczewka	90	čierna
KND-M9D-NW-W-P3	37523	35	5850	4000	soczewka	90	biela
KND-M9D-WW-B-P3	37529	36	5500	3000	soczewka	90	čierna
KND-M9D-WW-W-P3	37517	36	5500	3000	soczewka	90	biela

- Materiál korpusu: kov
- Materiál difúzora: plast

KIENO DALI LED P3

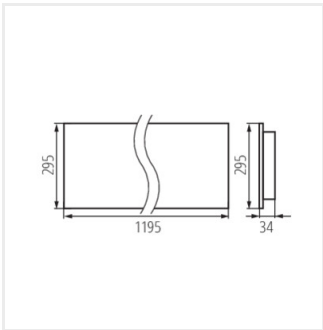
Kancelárske vstavané LED svietidlo



KND-B-P3



KND-W-P3



KND-P3

