

KRD10-2

Prúdový chránič, 2P



KRD10-2/25/30-B

[Hz] 50	[mm ²] do 35	[°C] -25÷40	IP 20	2P	2	TH 35
U _i [V] 400	CE	EAC	VDE	CCC PK	↓	

	[V]	In [A]	I _{an} [mA]	Typ prúdového chrániča	
KRD10-2/25/30-B	38530	230 AC	25	30	B 3
KRD10-2/40/30-B	38531	230 AC	40	30	B 3
KRD10-2/63/30-B	38532	230 AC	63	30	B 3
KRD10-2/25/100-B	38533	230 AC	25	100	B 3
KRD10-2/40/100-B	38534	230 AC	40	100	B 3
KRD10-2/63/100-B	38535	230 AC	63	100	B 3
KRD10-2/25/300-B	38536	230 AC	25	300	B 3
KRD10-2/40/300-B	38537	230 AC	40	300	B 3
KRD10-2/63/300-B	38538	230 AC	63	300	B 3

KRD10-2

Prúdový chránič, 2P



KRD10-2/25/30-B



KRD10-2/40/30-B



KRD10-2/63/30-B



KRD10-2/25/100-B



KRD10-2/40/100-B



KRD10-2/63/100-B



KRD10-2/25/300-B



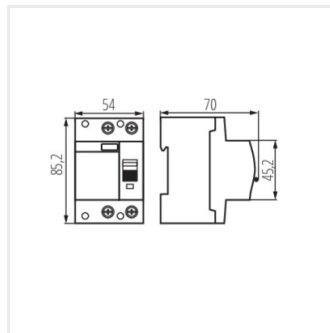
KRD10-2/40/300-B



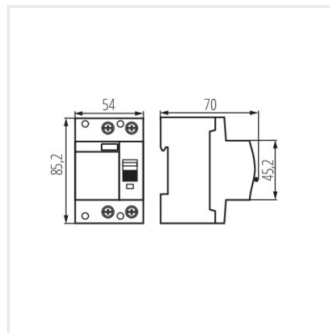
KRD10-2/63/300-B

KRD10-2

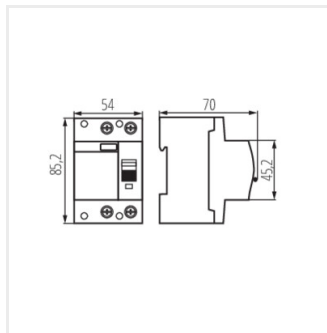
Prúdový chránič, 2P



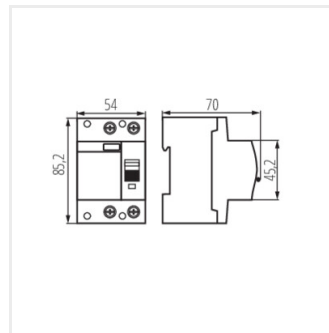
KRD10-2/25/30-B



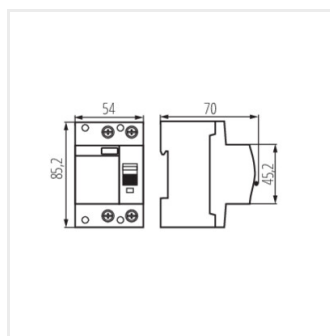
KRD10-2/40/30-B



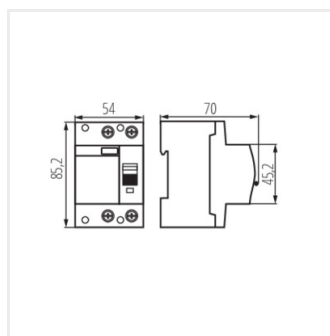
KRD10-2/63/30-B



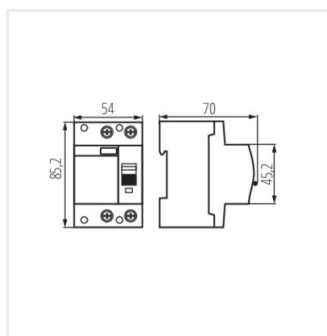
KRD10-2/25/100-B



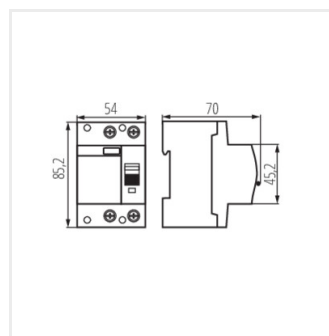
KRD10-2/40/100-B



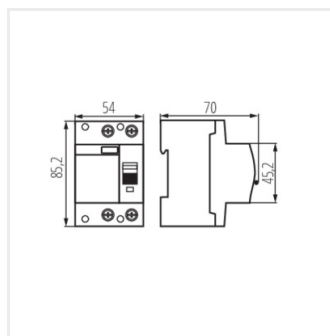
KRD10-2/63/100-B



KRD10-2/25/300-B



KRD10-2/40/300-B



KRD10-2/63/300-B