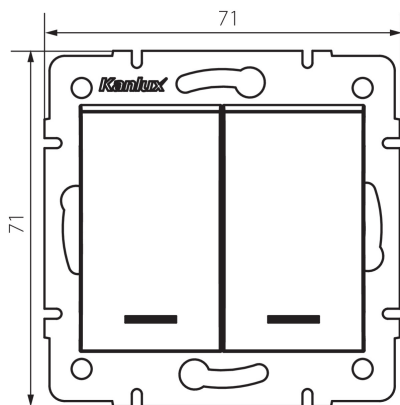


25189 LOGI 02-1023-143 sr

Double Control Switch Illuminated

5905339251893



A double NO switch is used to control two groups of time relays with an impulse (controlling the circuit of a lamp or a group of lamps, controlling door and gate mechanisms). The switch has LED backlight.

GENERAL DATA:

Colour: silver
Place of assembly: Recessed mount in the wall
Highlighting: yes
Width [mm]: 71
Height [mm]: 71
Diameter of an installation box: 60
Installation depth: 25

TECHNICAL DATA:

Rated voltage [V]: 250 AC
Material of contacts: CuZn70
Terminal type: Screw terminal
Plastic: ABS
Number of levers: 2
Rated current [AX]: 10
IP class: 20

LOGISTIC DATA:

Packaging method: 10
Number of units in the secondary packaging: 10
Number of units in the packaging: 120
Net unit weight [g]: 74
Grammage [g]: 86.67
Length of a unit pack [cm]: 70
Width of a unit pack [cm]: 4
Height of a unit pack [cm]: 14
Weight of a cardboard box [kg]: 10.4004
Width of a cardboard box [cm]: 25.5
Height of a cardboard box [cm]: 32
Length of a cardboard box [cm]: 44

25189 LOGI 02-1023-143 sr

Double Control Switch Illuminated

Volume of a cardboard box [m³]: 0.035904