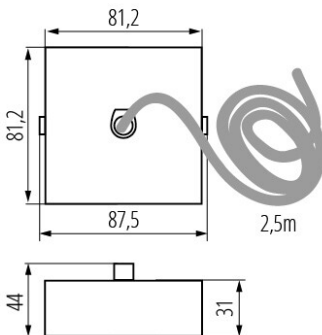


32537 ALIN CORD SQ DA 1F-W

Accessory for linear light fittings

5905339325372



GENERAL DATA:

Colour: white

Place of assembly: for suspension on the ceiling

Compatible with a dimmer: DALI

Length [mm]: 81

Width [mm]: 81

Height [mm]: 31

Cable length [m]: 2.5

TECHNICAL DATA:

Material: steel

Connection type: Self-clamping block

Wire diameter [mm²]: 5 x 0,75

LOGISTIC DATA:

Unit of measurement: unit

Packaging method: 1

Number of units in the secondary packaging: 1

Number of units in the packaging: 1

Net unit weight [g]: 296

Grammage [g]: 302

Gross unit weight [g]: 302

Length of a unit pack [cm]: 12

Width of a unit pack [cm]: 12

Height of a unit pack [cm]: 8

Weight of a cardboard box [kg]: 0.302

Width of a cardboard box [cm]: 12

Height of a cardboard box [cm]: 8

Length of a cardboard box [cm]: 12

Volume of a cardboard box [m³]: 0.001152

32537 ALIN CORD SQ DA 1F-W

Accessory for linear light fittings

