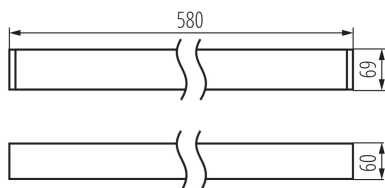
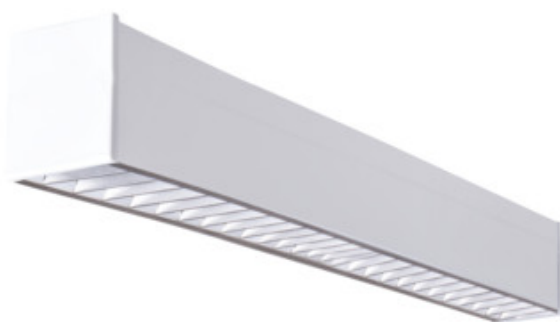
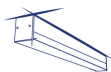


Linear LED luminaire

5905339339096



### GENERAL DATA:

**Colour:** white

**Place of assembly:** ceiling mounted

**Place of application:** Indoors

**Minimum distance from the illuminated object:** 0,5m

**Compatible with a dimmer:** no

**Fixture lighting direction:** down

**Length [mm]:** 580

**Width [mm]:** 60

**Height [mm]:** 69

**Integrated LED light source:** yes

### TECHNICAL DATA:

**Rated voltage [V]:** 220-240 AC

**Rated frequency [Hz]:** 50

**Maximum power [W]:** 19

**Class of protection against electric shock:** I

**Lampshade material:** plastic

**Diode type:** LED SMD

**Colour temperature:** white

**Correlated colour temperature [K]:** 4000

**Colour consistency in McAdam ellipses:**  $\leq 6$

**Colour rendering index:** 80

**Service life [h]:** 50000

**Luminous-flux-retention factor at the end of rated service life:** L90B10

**Number of on/off cycles:**  $\geq 30000$

**Lighting angle [°]:** X85/Y85

**Ambient temperature range to which the product can be exposed:** 5÷25

**Shade type:** louvre

**Enclosure material:** aluminum alloy

**Connection type:** Self-clamping block

**Range of sections of wires used [mm<sup>2</sup>]:** 1,5÷2,5

**Lamp-heating time [s]:**  $\leq 1$

**Lamp-ignition time [s]:**  $\leq 0,5$

**IP class:** 20

### LOGISTIC DATA:

**Unit of measurement:** unit

**Packaging method:** 1

**Number of units in the secondary packaging:** 1

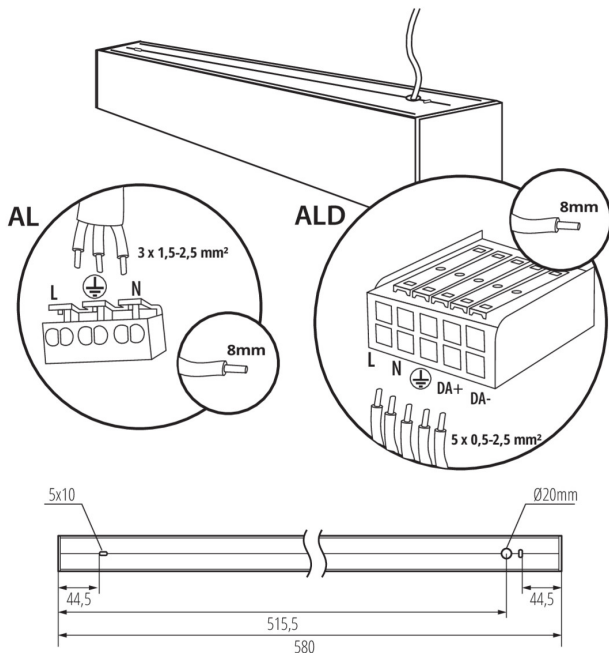
**Number of units in the packaging:** 1

**Net unit weight [g]:** 1160

**Grammage [g]:** 1352

**Length of a unit pack [cm]:** 75

### Linear LED luminaire



**Width of a unit pack [cm]:** 11  
**Height of a unit pack [cm]:** 7  
**Weight of a cardboard box [kg]:** 1.352  
**Width of a cardboard box [cm]:** 11  
**Height of a cardboard box [cm]:** 7  
**Length of a cardboard box [cm]:** 75  
**Volume of a cardboard box [m³]:** 0.005775

#### ADDITIONAL INFORMATION:

- 5 years Warranty under the terms of the warranty statement, available on our website

#### ACCESSORIES:

**32540** ALIN CORD 1F-W Power supply terminal for ALIN luminaires and tracks, 1-phase, white, 150 cm



**32541** ALIN CORD 1F-B Power supply terminal for ALIN luminaires and tracks, 1-phase, black, 150 cm



**32542** ALIN CORD 1F-SR Power supply terminal for ALIN luminaires and tracks, 1-phase, silver 150 cm



**07871** ROPE-NT 150 SINGLE ROPE-NT 150 SINGLE steel rope (single) for suspending fittings, 2 pcs. in a set



### Linear LED luminaire

#### 29557 ALIN NT GRIP

Wall bracket for the ALIN luminaire, 2 pcs included



#### 27109 KLOSZ MPR AL 11W/17W

MPR shade for fitting ALIN, MPR SHADE AL 11W/17W,(27109)

