

35291 LEADIE LED B

LED desk lamp

5905339352910



KANLUX LEADIE LED is an elegant standing lamp. It works great as the main desk light, but also as an additional light source in the room. It can also function as a bedside lamp.

GENERAL DATA:

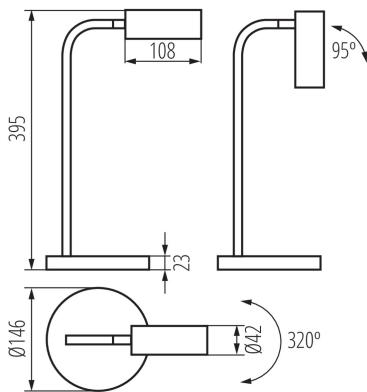
Colour: black
Place of assembly: On the floor
Place of application: Indoors
Minimum distance from the illuminated object: 0,1m
Possibility of dimming only with help of an internal electronic system: yes
Compatible with a dimmer: no
On switch: yes
Length [mm]: 108
Width [mm]: 146
Height [mm]: 395
Diameter [mm]: 146
Integrated LED light source: yes

TECHNICAL DATA:

Rated voltage [V]: 220-240 AC
Rated frequency [Hz]: 50
Maximum power [W]: max 4,6
Class of protection against electric shock: II
Lampshade material: plastic
Diode type: LED SMD
Luminous flux [lm]: max 300
Useful luminous flux of the light source Φ_{use} [lm]: 370
Useful luminous flux of the light source Φ_{use} [lm]: in wide cone (120°)
Colour temperature: Warm white, white, cold white
Correlated colour temperature [K]: 3000/4500/6500
Colour consistency in McAdam ellipses: ≤ 6
Colour rendering index: 80
Service life [h]: 25000
Number of on/off cycles: ≥ 15000
Luminous efficiency of the lamp [lm/W]: max 65
Enclosure material: plastic
Extension-arm material: Metal
Connection type: Cable terminated with a plug
Wire length [m]: 1.7
Lamp-heating time [s]: ≤ 1
Lamp-ignition time [s]: $\leq 0,5$
The fixture is movable horizontally [°]: 320
The fixture is movable vertically [°]: 95

35291 LEADIE LED B

LED desk lamp



IP class: 20

LOGISTIC DATA:

Packaging method: 8

Number of units in the secondary packaging: 1

Number of units in the packaging: 8

Net unit weight [g]: 738

Grammage [g]: 1018.75

Length of a unit pack [cm]: 15

Width of a unit pack [cm]: 15

Height of a unit pack [cm]: 43

Weight of a cardboard box [kg]: 8.15

Width of a cardboard box [cm]: 32.5

Height of a cardboard box [cm]: 45

Length of a cardboard box [cm]: 61.5

Volume of a cardboard box [m³]: 0.089944