

## 38422 FL AGOR PRO 200W NW

LED floodlight

5905339384225



### GENERAL DATA:

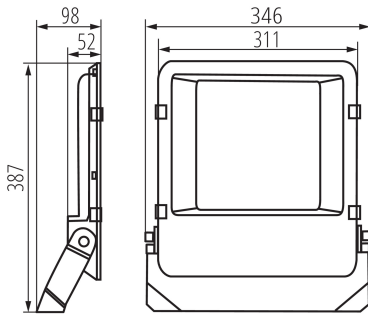
**Colour:** black  
**Place of assembly:** ceiling mounted, wall mounted  
**Place of application:** for industrial applications  
**Minimum distance from the illuminated object:** 1m  
**Compatible with a dimmer:** no  
**Width [mm]:** 346  
**Height [mm]:** 387  
**Depth [mm]:** 98  
**Mercury content:** no  
**Mercury content in the lamp [mg]:** 0  
**Integrated LED light source:** yes

### TECHNICAL DATA:

**Rated voltage [V]:** 220-240 AC  
**Rated frequency [Hz]:** 50  
**Maximum power [W]:** 200  
**Class of protection against electric shock:** I  
**Lampshade material:** Tempered glass  
**Diode type:** LED SMD  
**Luminous flux [lm]:** 28000  
**Useful luminous flux of the light source  $\Phi_{use}$  [lm]:** 33810  
**Useful luminous flux of the light source  $\Phi_{use}$  [lm]:** w szerokim stożku (120°)  
**Colour temperature:** white  
**Correlated colour temperature [K]:** 4000  
**Colour consistency in McAdam ellipses:** 6  
**Colour rendering index:**  $\geq 80$   
**Service life [h]:** 50000  
**Number of on/off cycles:**  $\geq 25000$   
**Lighting angle [°]:** 110  
**Luminous efficiency of the lamp [lm/W]:** 140  
**Ambient temperature range to which the product can be exposed:** -30÷45  
**Enclosure material:** Metal  
**Connection type:** Free cable ends  
**Wire type:** H05RN-F  
**Wire length [m]:** 1  
**Wire diameter [mm<sup>2</sup>]:** 1  
**The fixture is movable vertically [°]:** 180  
**IK class:** 08  
**IP class:** 65

## 38422 FL AGOR PRO 200W NW

LED floodlight



### LOGISTIC DATA:

**Unit of measurement:** unit

**Packaging method:** 3

**Number of units in the secondary packaging:** 1

**Number of units in the packaging:** 3

**Net unit weight [g]:** 3950

**Grammage [g]:** 4510

**Gross unit weight [g]:** 4332

**Length of a unit pack [cm]:** 36

**Width of a unit pack [cm]:** 6.5

**Height of a unit pack [cm]:** 41.5

**Weight of a cardboard box [kg]:** 13.53

**Width of a cardboard box [cm]:** 21.5

**Height of a cardboard box [cm]:** 44

**Length of a cardboard box [cm]:** 37

**Volume of a cardboard box [m<sup>3</sup>]:** 0.035002

### ADDITIONAL INFORMATION:

- 5 years Warranty under the terms of the warranty statement, available on our website