

38425 FL AGOR/A PRO 200W NW

LED floodlight

5905339384256



Kanlux AGOR PRO floodlights are a modern and durable lighting solution, ideal for areas such as sports facilities, production halls or facades of industrial or warehouse buildings. They are available in three power ratings: 100W, 150W and 200W and in symmetrical (140 lm/W) and asymmetrical (135 lm/W) versions. Thanks to the IP65 tightness class and IK08 durability, they effectively resist external factors. Solid construction made of cast aluminum, reinforced radiator and angle adjustment up to 270° ensure long life and versatility. They operate in 4000K color and are covered by a 5-year warranty. Accessories in the form of a protective grid are available.

GENERAL DATA:

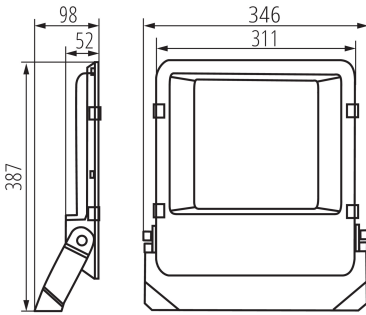
Colour: black
Place of assembly: ceiling mounted, wall mounted
Place of application: for industrial applications
Minimum distance from the illuminated object: 1m
Compatible with a dimmer: no
Wykrywanie ruchu: no
Width [mm]: 346
Height [mm]: 387
Depth [mm]: 98
Mercury content: no
Mercury content in the lamp [mg]: 0
Integrated LED light source: yes

TECHNICAL DATA:

Rated voltage [V]: 220-240 AC
Rated frequency [Hz]: 50
Maximum power [W]: 200
Class of protection against electric shock: I
Lampshade material: Tempered glass
Diode type: LED SMD
Luminous flux [lm]: 27000
Useful luminous flux of the light source Φ_{use} [lm]: 32610
Useful luminous flux of the light source Φ_{use} [lm]: w szerokim stożku (120°)
Colour temperature: white
Correlated colour temperature [K]: 4000
Colour consistency in McAdam ellipses: 6
Colour rendering index: ≥ 80
Service life [h]: 50000

38425 FL AGOR/A PRO 200W NW

LED floodlight



Number of on/off cycles: ≥ 25000

Lighting angle [°]: X125/Y65

Luminous efficiency of the lamp [lm/W]: 135

Ambient temperature range to which the product can be exposed: $-30 \div 45$

Enclosure material: Metal

Connection type: Free cable ends

Wire type: H05RN-F

Wire length [m]: 1

Wire diameter [mm²]: 1

The fixture is movable vertically [°]: 180

IK class: 08

IP class: 65

LOGISTIC DATA:

Unit of measurement: unit

Packaging method: 3

Number of units in the secondary packaging: 1

Number of units in the packaging: 3

Net unit weight [g]: 4100

Grammage [g]: 4660

Gross unit weight [g]: 4482

Length of a unit pack [cm]: 36

Width of a unit pack [cm]: 6.5

Height of a unit pack [cm]: 41.5

Weight of a cardboard box [kg]: 13.98

Width of a cardboard box [cm]: 21.5

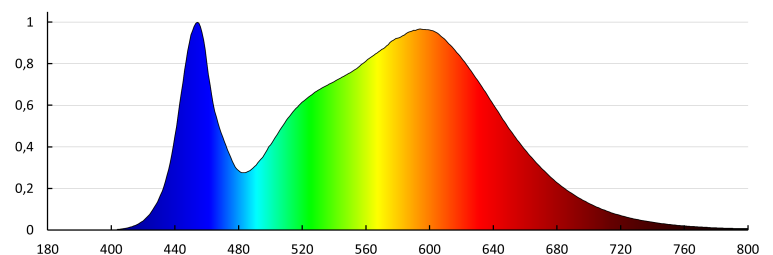
Height of a cardboard box [cm]: 44

Length of a cardboard box [cm]: 37

Volume of a cardboard box [m³]: 0.035002

ADDITIONAL INFORMATION:

- 5 years Warranty under the terms of the warranty statement, available on our website

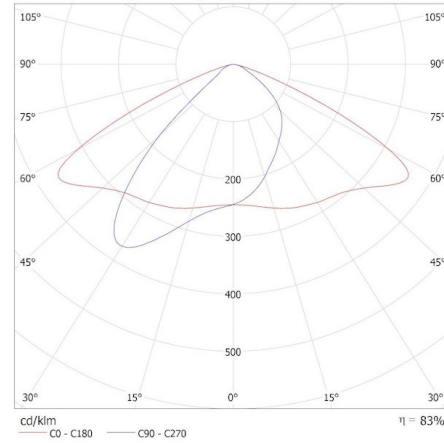


38425 FL AGOR/A PRO 200W NW

LED floodlight

KANLUX S.A. (kat 38425) FL AGOR/A PRO 200W NW / Krzywa rozsytu światła (biegunowo)

Oprawa: KANLUX S.A. (kat 38425) FL AGOR/A PRO 200W NW
Lampy: 1 x FL AGOR/A PRO 200W

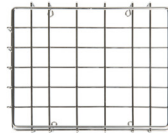


ACCESSORIES

38426

FL AGOR PRO GRID 100W

Protective grid for floodlight FL AGOR PRO 100W, FL AGOR PRO GRID 100W, black (38426)



38427

FL AGOR PRO GRID 150W

Protective grid for floodlight FL AGOR PRO 150W, FL AGOR PRO GRID 150W, black (38427)



38428

FL AGOR PRO GRID 200W

Protective grid for floodlight FL AGOR PRO 200W, FL AGOR PRO GRID 200W, black (38428)

