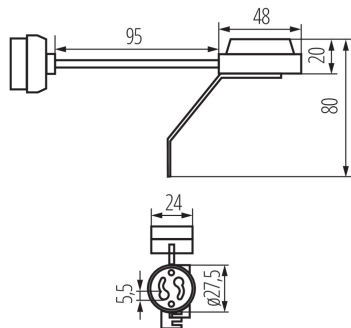


Light source fitting

5905339723697



GENERAL DATA:

Colour: grey

TECHNICAL DATA:

Rated voltage [V]: 250 AC

Rated current [A]: 2

Rated frequency [Hz]: 50

Cap: GU10

Connection type: Terminal block

Type: GU10

Maximum operating temperature [°C]: 250

IP class: 00

LOGISTIC DATA:

Packaging method: 200

Number of units in the packaging: 200

Net unit weight [g]: 54

Grammage [g]: 58.5

Length of a unit pack [cm]: 10

Width of a unit pack [cm]: 2.5

Height of a unit pack [cm]: 12

Weight of a cardboard box [kg]: 11.7

Width of a cardboard box [cm]: 37

Height of a cardboard box [cm]: 20

Length of a cardboard box [cm]: 50

Volume of a cardboard box [m³]: 0.037

ADDITIONAL INFORMATION:

- Maximum permissible holder temperature 250°C for BR-GZ10, HLDR-GZ10, HLDR-R7S, for other models - 180°C
- Maximum permissible current for BR-GZ10, HLDR-GZ10, HLDR-G9 - 2A, for HLDR-R7S - 6A, for HLDR-GX5.3 - 5A
- BR-GZ10 equipped with a support