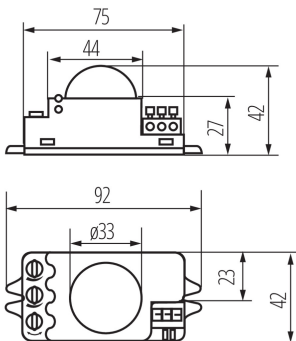


08820 ROLF JQ-L

MW motion sensor

5905339088208



Kanlux ROLF JQ is a motion detector. The horizontal angle of the detector work comes to 360 degrees. You can set adjustments of the lighting time and light intensity level at which the detector works.

GENERAL DATA:

Colour: white

Place of assembly: wall mounted, ceiling mounted, surface mounted

Place of application: Indoors

Micro-interval between relay contacts: yes

Length [mm]: 92

Width [mm]: 42

Height [mm]: 42

Sensitivity regulation: yes

TECHNICAL DATA:

Rated voltage [V]: 220-240 AC

Rated frequency [Hz]: 50

Class of protection against electric shock: II

Material: plastic

Ambient temperature range to which the product can be exposed: 5÷25

Sensor type: microwave

Connection type: Terminal block

Range of sections of wires used [mm²]: 1÷2,5

Sensor-operation time [second-minute]: 5-12

Sensor-operation frequency [MHz]: 5,8

sensor working angle [°]: H360/V160

Maximum operating time [min]: 12

Minimum operating time[s]: 5

Maximum power [VA]: 1200

Illumination-level setpoint by which the sensor detects movement [lx]: 2-2000

IP class: 20

Sensor range[m]: max 8

LOGISTIC DATA:

Packaging method: 100

Number of units in the secondary packaging: 1

Number of units in the packaging: 100

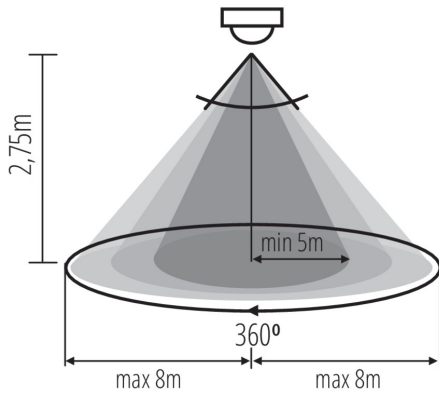
Net unit weight [g]: 60

Grammage [g]: 92

Length of a unit pack [cm]: 10

Width of a unit pack [cm]: 5

MW motion sensor



Height of a unit pack [cm]: 5

Weight of a cardboard box [kg]: 9.2

Width of a cardboard box [cm]: 27

Height of a cardboard box [cm]: 30.4

Length of a cardboard box [cm] : 42

Volume of a cardboard box [m³]: 0.034474

ADDITIONAL INFORMATION:

- Maximum movement detection up to 8m
- Maximum horizontal angle of operation of the motion sensor - 360°
- Maximum vertical angle of operation of the motion sensor - 160°
- Light on time adjustable from 5s to 12min
- Capability to set the light intensity of the environment in which the device works
- Sensitivity adjustment in the range of 2...2000lx
- Motion detection 0.3...3m/s (1...10km/h)