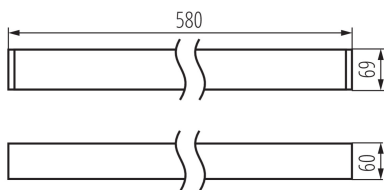


Linear LED luminaire

5905339339119



GENERAL DATA:

Colour: white

Place of assembly: ceiling mounted

Place of application: Indoors

Minimum distance from the illuminated object: 0,5m

Compatible with a dimmer: no

Fixture lighting direction: down

Length [mm]: 580

Width [mm]: 60

Height [mm]: 69

Integrated LED light source: yes

TECHNICAL DATA:

Rated voltage [V]: 220-240 AC

Rated frequency [Hz]: 50

Maximum power [W]: 19

Class of protection against electric shock: I

Lampshade material: plastic

Diode type: LED SMD

Colour temperature: Warm white

Correlated colour temperature [K]: 3000

Colour consistency in McAdam ellipses: ≤ 6

Colour rendering index: 80

Service life [h]: 50000

Luminous-flux-retention factor at the end of rated service life: L90B10

Number of on/off cycles: ≥ 30000

Lighting angle [°]: X85/Y85

Ambient temperature range to which the product can be exposed: $5 \div 25$

Shade type: louvre

Enclosure material: aluminum alloy

Connection type: Self-clamping block

Range of sections of wires used [mm²]: $1,5 \div 2,5$

Lamp-heating time [s]: ≤ 1

Lamp-ignition time [s]: $\leq 0,5$

IP class: 20

LOGISTIC DATA:

Unit of measurement: unit

Packaging method: 1

Number of units in the secondary packaging: 1

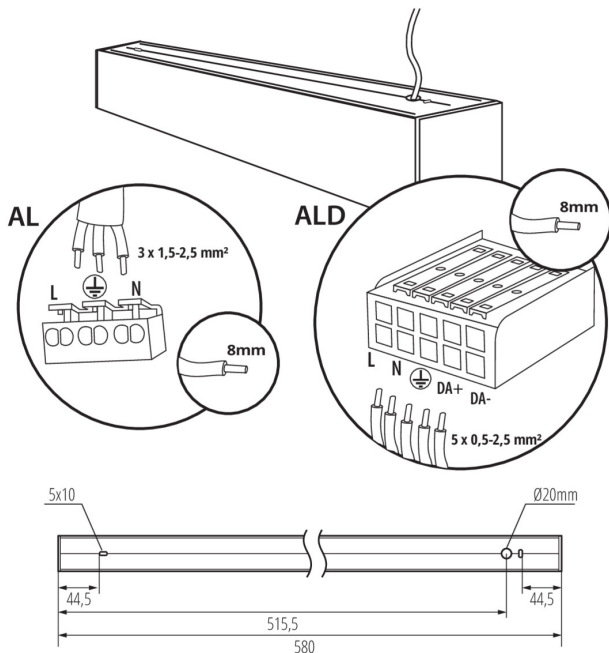
Number of units in the packaging: 1

Net unit weight [g]: 1160

Grammage [g]: 1352

Length of a unit pack [cm]: 75

Linear LED luminaire



Width of a unit pack [cm]: 11
Height of a unit pack [cm]: 7
Weight of a cardboard box [kg]: 1.352
Width of a cardboard box [cm]: 11
Height of a cardboard box [cm]: 7
Length of a cardboard box [cm]: 75
Volume of a cardboard box [m³]: 0.005775

ADDITIONAL INFORMATION:

- 5 years Warranty under the terms of the warranty statement, available on our website

ACCESSORIES:

- | | | |
|--------------|--------------------|---|
| 32540 | ALIN CORD 1F-W | Power supply terminal for ALIN luminaires and tracks, 1-phase, white, 150 cm |
| | | |
| 32541 | ALIN CORD 1F-B | Power supply terminal for ALIN luminaires and tracks, 1-phase, black, 150 cm |
| | | |
| 32542 | ALIN CORD 1F-SR | Power supply terminal for ALIN luminaires and tracks, 1-phase, silver 150 cm |
| | | |
| 07871 | ROPE-NT 150 SINGLE | ROPE-NT 150 SINGLE steel rope (single) for suspending fittings, 2 pcs. in a set |
| | | |

Linear LED luminaire

29557 ALIN NT GRIP

Wall bracket for the ALIN luminaire, 2 pcs included



27109 KLOSZ MPR AL 11W/17W

MPR shade for fitting ALIN, MPR SHADE AL 11W/17W,(27109)

