

38495 ACETE 10W CCT SE GR

LED floodlight

5905339384959



The Kanlux ACETE series of floodlights is a modern lighting solution that meets the latest market trends. The ACETE series offers the ability to change the color temperature (3000K, 4000K and 6500K), which is becoming a standard on the market. Kanlux ACETE floodlights are available in five powers: 10W, 20W, 30W, 50W and 100W, which allows them to be adapted to a wide range of applications. The series includes two versions - without a sensor and with a PIR sensor, providing even greater flexibility of use. Versions with a PIR sensor offer adjustment of the lighting time, light intensity and detection area. Products from the ACETE series are characterized by high luminous efficiency of 100 lm/W, which guarantees effective lighting with low energy consumption. The solid construction of the cast aluminum fixtures and the plastic (PC) diffuser ensure durability and resistance to weather conditions. ACETE floodlights have a protection class of IP65 for the version without a sensor and IP44 for the version with a motion sensor. The angle-adjustable mounting bracket allows you to precisely set the light direction. Additionally, the connection cable's length of 20 cm makes installation easier. The lighting angle of 90° ensures wide and even light dispersion.

TYPE OF LIGHT SOURCE:

Lighting technology used: LED

Non-directional or directional light source : DLS

Mains or non-mains light source : MLS

Connected light source (CLS): no

Colour-tuneable light source: no

High luminance light source: no

Anti-glare shield: no

Dimmable: no

PRODUCT PARAMETERS:

Colour: grey

Place of assembly: ceiling mounted, wall mounted

Place of application: outdoors

Minimum distance from the illuminated object : 1m

Compatible with a dimmer: no

Wykrywanie ruchu: yes

Width [mm]: 120

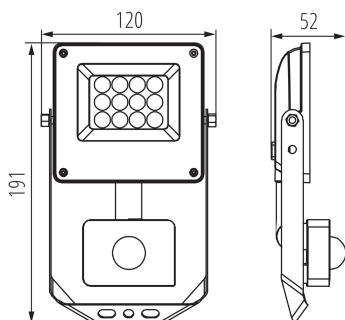
Height [mm]: 191

Depth [mm]: 52

Sensitivity regulation: yes

38495 ACETE 10W CCT SE GR

LED floodlight



Rated voltage [V]: 220-240 AC

Rated frequency [Hz]: 50

Maximum power [W]: 10

Class of protection against electric shock : I

Lampshade material: PC

Diode type: LED SMD

Luminous flux [lm]: 860 / 1080 / 970

Colour temperature: Warm white, white, cold white

Cap (Light source): Free cable ends

Service life [h]: 25000

Number of on/off cycles: ≥15000

Lighting angle [°]: 90

Ambient temperature range to which the product can be exposed: -20÷40

Enclosure material: aluminum alloy

Sensor type: PIR

Wire length [m]: 0.2

Wire diameter [mm²]: 1

Reflector type: symmetrical

Sensor-operation time [second-minute]: 10-5

Lamp-heating time [s]: ≤1

Lamp-ignition time [s]: ≤0,5

sensor working angle [°]: 120

Illumination-level setpoint by which the sensor detects movement [lx]: 5-2000

The fixture is movable vertically [°]: 180

IP class: 44

Sensor range[m]: max 3,5

Additional information: Light source (LS)

Mercury content: no

Mercury content in the lamp [mg]: 0

PARAMETERS FOR DIRECTIONAL LIGHT SOURCES:

Peak luminous intensity [cd]: 540

Beam angle [°]: 90

PARAMETERS FOR LED AND OLED LIGHT SOURCES:

Energy consumption in on-mode of the light source (kWh/1000h): 10

Energy efficiency class: F

Useful luminous flux of the light source Φ_{use} [lm]: 860

Useful luminous flux of the light source Φ_{use} [lm]: in wide cone (120°)

Correlated colour temperature [K]: 3000/4000/6500

Colour consistency in McAdam ellipses : 6

38495 ACETE 10W CCT SE GR

LED floodlight

On-mode power of the light source P_{on} [W]: 10
Height of the light source [mm]: 191
Width of the light source [mm]: 120
Depth of the light source [mm]: 52
Colour rendering index: 80
Chromaticity coordinates (x): 0,38
Chromaticity coordinates (y): 0,38
R9 colour rendering index value : 0
Survival factor: 0,9
The lumen maintenance factor: 0,96

PARAMETERS FOR LED AND OLED MAINS LIGHT SOURCES:

Displacement factor ($\cos \phi_1$): 0,9
LED light source replaces a fluorescent light source without integrated ballast of a particular wattage: Not applicable
Flicker metric (Pst LM) : 1.0
Stroboscopic effect metric (SVM) : 4,4

LOGISTIC DATA:

Unit of measurement: unit
Packaging method: 20
Number of units in the secondary packaging : 1
Number of units in the packaging: 20
Net unit weight [g]: 264
Grammage [g]: 361
Gross unit weight [g]: 324
Length of a unit pack [cm]: 12
Width of a unit pack [cm]: 5.5
Height of a unit pack [cm]: 19.5
Weight of a cardboard box [kg]: 7.22
Width of a cardboard box [cm]: 40.5
Height of a cardboard box [cm]: 26.5
Length of a cardboard box [cm] : 56.5
Volume of a cardboard box [m³]: 0.060639

38495 ACETE 10W CCT SE GR

LED floodlight

