

38499 ACETE 100W CCT SE GR

LED floodlight

5905339384997



The Kanlux ACETE series of floodlights is a modern lighting solution that meets the latest market trends. The ACETE series offers the ability to change the color temperature (3000K, 4000K and 6500K), which is becoming a standard on the market. Kanlux ACETE floodlights are available in five powers: 10W, 20W, 30W, 50W and 100W, which allows them to be adapted to a wide range of applications. The series includes two versions - without a sensor and with a PIR sensor, providing even greater flexibility of use. Versions with a PIR sensor offer adjustment of the lighting time, light intensity and detection area. Products from the ACETE series are characterized by high luminous efficiency of 100 lm/W, which guarantees effective lighting with low energy consumption. The solid construction of the cast aluminum fixtures and the plastic (PC) diffuser ensure durability and resistance to weather conditions. ACETE floodlights have a protection class of IP65 for the version without a sensor and IP44 for the version with a motion sensor. The angle-adjustable mounting bracket allows you to precisely set the light direction. Additionally, the connection cable's length of 20 cm makes installation easier. The lighting angle of 90° ensures wide and even light dispersion.

TYPE OF LIGHT SOURCE:

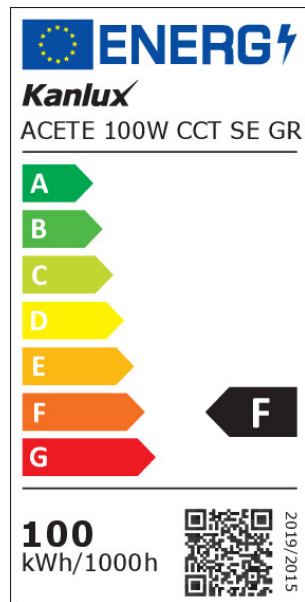
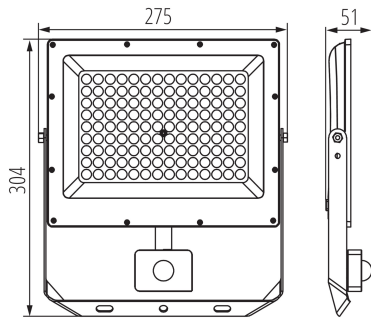
Lighting technology used: LED
Non-directional or directional light source : DLS
Mains or non-mains light source : MLS
Connected light source (CLS): no
Colour-tunable light source: no
High luminance light source: no
Anti-glare shield : no
Dimmable: no

PRODUCT PARAMETERS:

Colour: grey
Place of assembly: ceiling mounted, wall mounted
Place of application: outdoors
Minimum distance from the illuminated object : 1m
Compatible with a dimmer : no
Wykrywanie ruchu: yes
Width [mm]: 275
Height [mm]: 304
Depth [mm]: 51
Sensitivity regulation: yes

38499 ACETE 100W CCT SE GR

LED floodlight



Rated voltage [V]: 220-240 AC

Rated frequency [Hz]: 50

Maximum power [W]: 100

Class of protection against electric shock : I

Lampshade material: PC

Diode type: LED SMD

Luminous flux [lm]: 8500 / 10800 / 9700

Colour temperature: Warm white, white, cold white

Cap (Light source): Free cable ends

Service life [h]: 25000

Number of on/off cycles: ≥15000

Lighting angle [°]: 90

Ambient temperature range to which the product can be exposed: -20÷40

Enclosure material: aluminum alloy

Sensor type: PIR

Wire length [m]: 0.2

Wire diameter [mm²]: 1

Reflector type: symmetrical

Sensor-operation time [second-minute]: 10-5

Lamp-heating time [s]: ≤1

Lamp-ignition time [s]: ≤0,5

sensor working angle [°]: 120

Illumination-level setpoint by which the sensor detects movement [lx]: 5-2000

The fixture is movable vertically [°]: 180

IP class: 44

Sensor range[m]: max 3,5

Additional information: Light source (LS)

Mercury content: no

Mercury content in the lamp [mg]: 0

PARAMETERS FOR DIRECTIONAL LIGHT SOURCES:

Peak luminous intensity [cd]: 5240

Beam angle [°]: 90

PARAMETERS FOR LED AND OLED LIGHT SOURCES:

Energy consumption in on-mode of the light source (kWh/1000h): 100

Energy efficiency class: F

Useful luminous flux of the light source Φ_{use} [lm]: 8500

Useful luminous flux of the light source Φ_{use} [lm]: in wide cone (120°)

Correlated colour temperature [K]: 3000/4000/6500

Colour consistency in McAdam ellipses : 6

38499 ACETE 100W CCT SE GR

LED floodlight

On-mode power of the light source P_{on} [W]: 100

Height of the light source [mm]: 304

Width of the light source [mm]: 275

Depth of the light source [mm]: 51

Colour rendering index: 80

Chromaticity coordinates (x): 0,38

Chromaticity coordinates (y): 0,38

R9 colour rendering index value : 0

Survival factor: 0,9

The lumen maintenance factor: 0,96

PARAMETERS FOR LED AND OLED

MAINS LIGHT SOURCES:

Displacement factor ($\cos \phi_1$): 0,9

LED light source replaces a fluorescent light source without integrated ballast of a particular wattage: Not applicable

Flicker metric (Pst LM): 1.0

Stroboscopic effect metric (SVM): 4,4

LOGISTIC DATA:

Unit of measurement: unit

Packaging method: 10

Number of units in the secondary packaging : 1

Number of units in the packaging: 10

Net unit weight [g]: 908

Grammage [g]: 1113

Gross unit weight [g]: 1036

Length of a unit pack [cm]: 28

Width of a unit pack [cm]: 5.5

Height of a unit pack [cm]: 31

Weight of a cardboard box [kg]: 11.13

Width of a cardboard box [cm]: 32.5

Height of a cardboard box [cm]: 31

Length of a cardboard box [cm]: 56.5

Volume of a cardboard box [m³]: 0.056924

38499 ACETE 100W CCT SE GR

LED floodlight

